

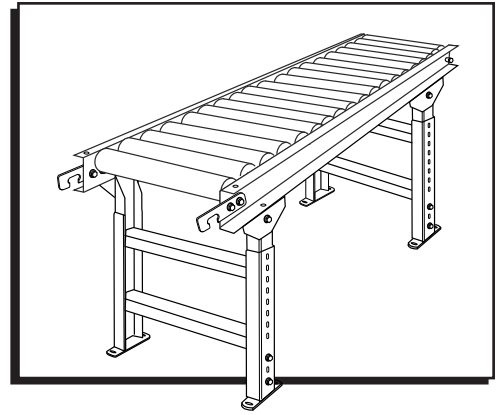


H-5014, H-5015
H-5017

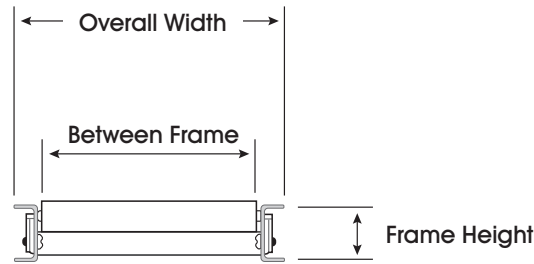
1-800-295-5510
uline.com

24" LIGHT DUTY CONVEYOR

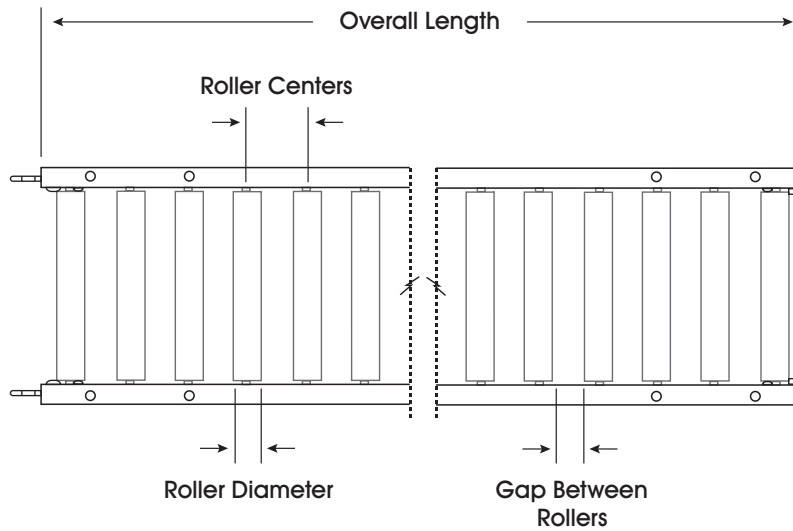
CONVEYOR



END VIEW



TOP VIEW

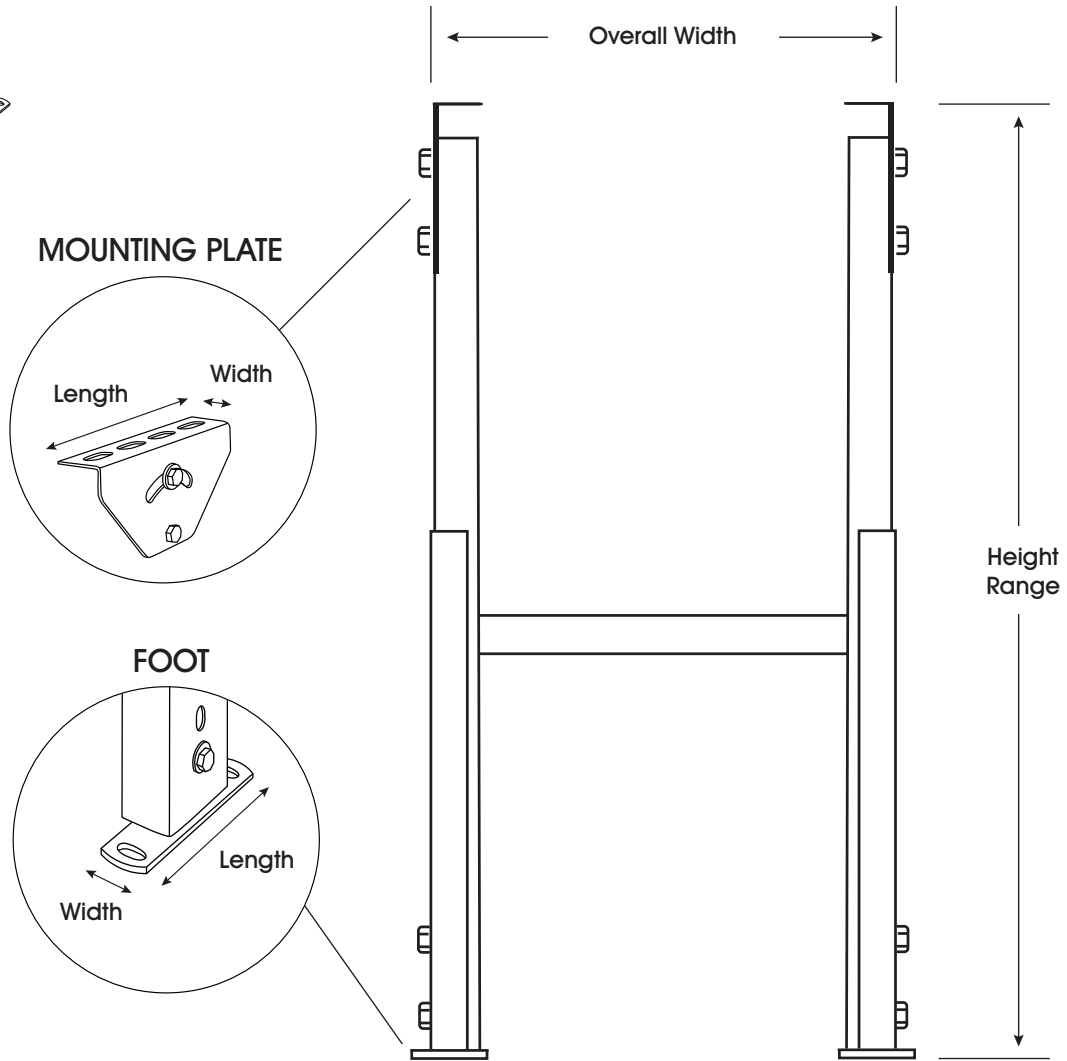
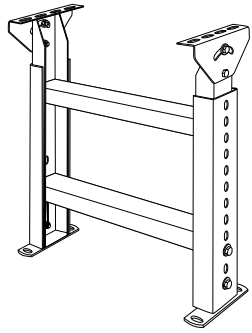


CONVEYOR SPECIFICATIONS

MODEL #	WIDTH		FRAME HEIGHT	ROLLER DIAMETER	ROLLER CENTERS	GAP BETWEEN ROLLERS	OVERALL LENGTH
	OVERALL WIDTH	BETWEEN FRAME					
H-5014	24"	22"	2.5"	1 ³ / ₈ "	3"	1 ³ / ₈ "	5'
H-5015							10'

SPECIFICATIONS CONTINUED

H-STAND



H-STAND SPECIFICATIONS

MODEL #	OVERALL WIDTH	HEIGHT RANGE	MOUNTING PLATE LENGTH	MOUNTING PLATE WIDTH	FOOT LENGTH	FOOT WIDTH
H-5017	27"	24-36"	8"	1"	6.25"	0.5"

ULINE CHICAGO • ATLANTA • DALLAS • LOS ANGELES • MINNEAPOLIS • NYC/PHILA • SEATTLE • MEXICO • CANADA

1-800-295-5510

uline.com