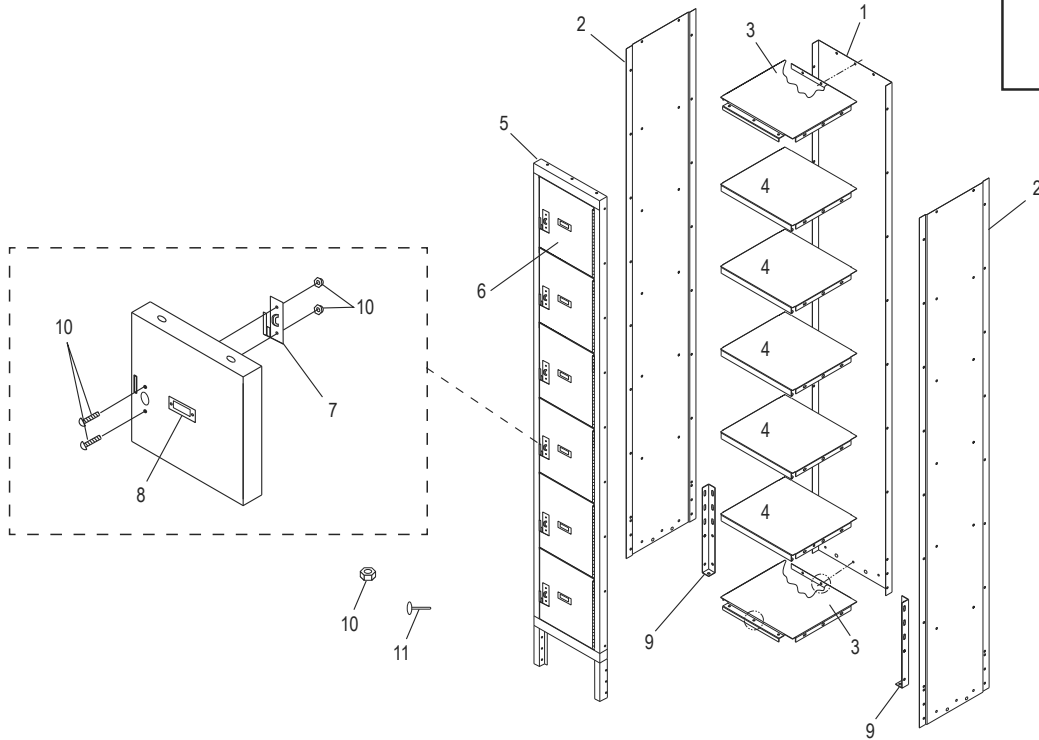


ULINE H-5553

CLEAR-VIEW LOCKER

6 TIER, 3 WIDE

1-800-295-5510
 uline.com

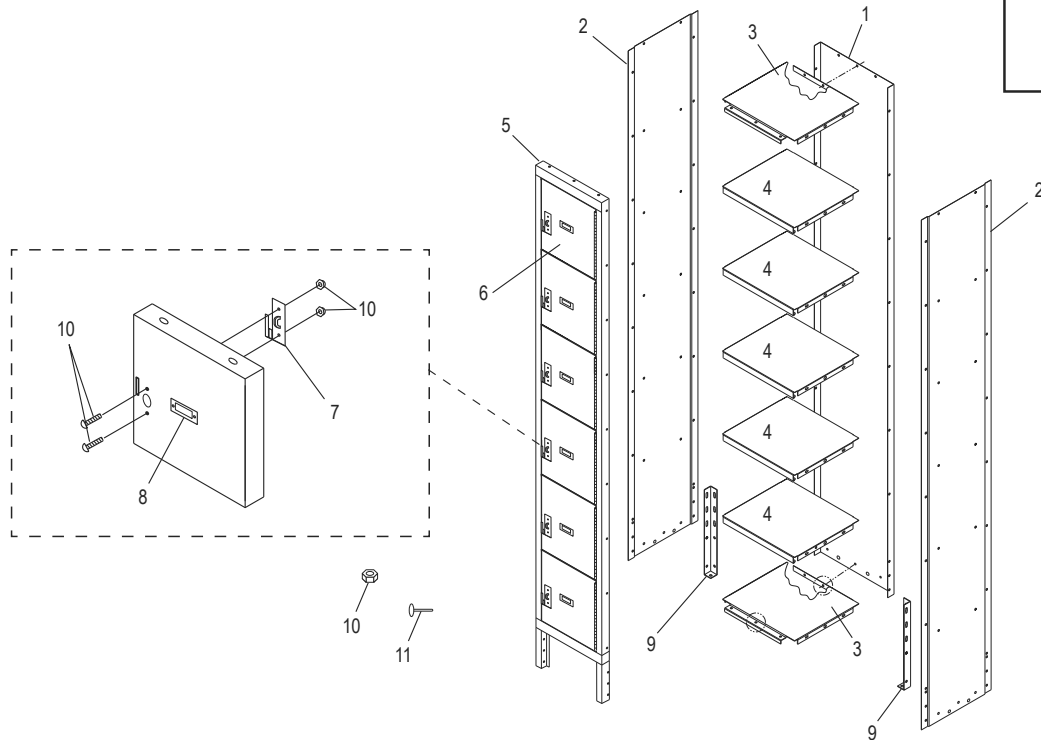


| # | DESCRIPTION | QTY. | ULINE PART NO. | MFG. PART NO. |
|----|--|------|----------------|------------------|
| 1 | Back Panel – Tan | 3 | ----- | KR3672-PT |
| 1 | Back Panel – Gray | 3 | ----- | KR3672-MG |
| 2 | Right/Left Side Panel – Tan | 4 | H-5552U-PAN | KP1872-PT |
| 2 | Right/Left Side Panel – Gray | 4 | H-5553-SIDEQ | KP1872-MG |
| 3 | Top/Bottom – Tan | 6 | ----- | KS3618-PT |
| 3 | Top/Bottom – Gray | 6 | ----- | KS3618-MG |
| 4 | Shelf – Tan | 15 | H-5553-SHELF | KH3618-PT |
| 4 | Shelf – Gray | 15 | ----- | KH3618-MG |
| 5 | Door Frame Assembly – Tan | 3 | ----- | LKDF1278-6SVP-PT |
| 5 | Door Frame Assembly – Gray | 3 | ----- | LKDF1278-6SVP-MG |
| 6 | Door – Tan | 18 | H-5552-DOOR | LKD1272-6SVP-PT |
| 6 | Door – Gray | 18 | ----- | LKD1272-6SVP-MG |
| 7 | Box Door Latch Pull | 18 | H-6619 | KBLP100 |
| 8 | Number Plate | 18 | H-5553-NMBRQ | NPH |
| 9 | Rear Leg | 2 | ----- | KLG |
| 10 | Hardware Pack Includes: • Bolt (218) • Nut (182) • Dome Nut (36) | 1 | H-6620 | HDW3228-6NPL |
| 11 | Push Pin | 36 | ----- | ----- |

ULINE H-5553**LOCKER CON FRENTE
TRANSPARENTE****6 PUERTAS, 3 DE ANCHO**

800-295-5510

uline.mx

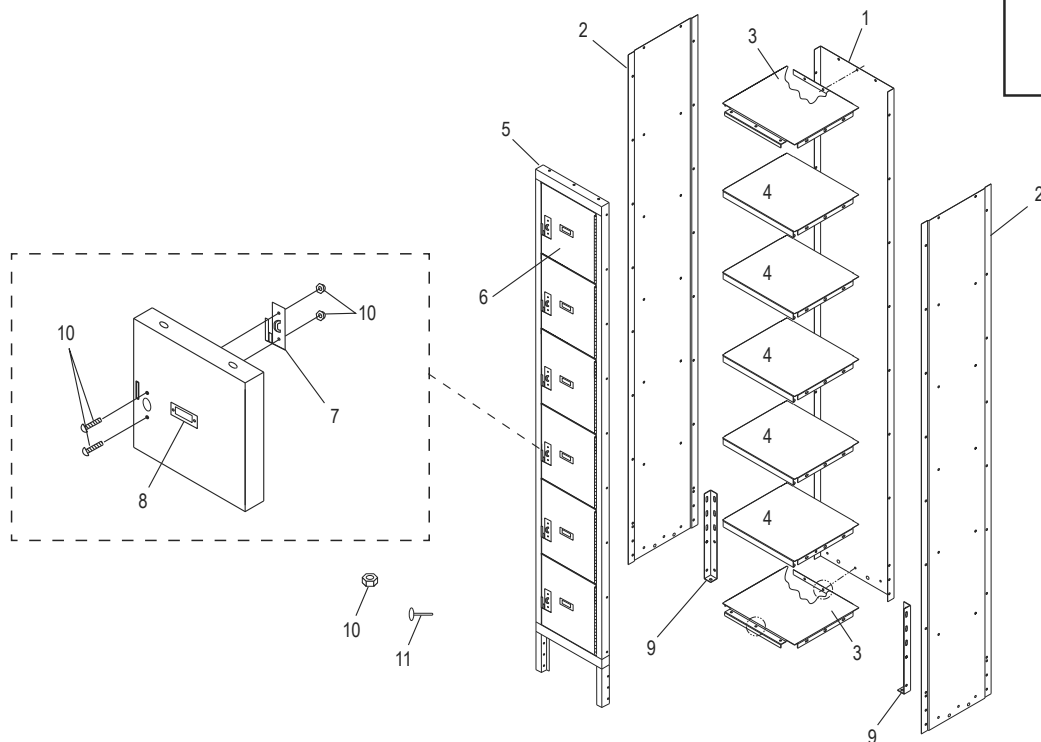


| # | DESCRIPCIÓN | CANT. | NO. DE PARTE DE ULINE | NO. DE PARTE DEL FABRICANTE |
|----|---|-------|-----------------------|-----------------------------|
| 1 | Panel Posterior – Canela | 3 | ----- | KR3672-PT |
| 1 | Panel Posterior – Gris | 3 | ----- | KR3672-MG |
| 2 | Panel Lateral Derecho/Izquierdo – Canela | 4 | H-5552U-PAN | KP1872-PT |
| 2 | Panel Lateral Derecho/Izquierdo – Gris | 4 | H-5553-SIDEQ | KP1872-MG |
| 3 | Superior/Inferior – Canela | 6 | ----- | KS3618-PT |
| 3 | Superior/Inferior – Gris | 6 | ----- | KS3618-MG |
| 4 | Repisa – Canela | 15 | H-5553-SHELF | KH3618-PT |
| 4 | Repisa – Gris | 15 | ----- | KH3618-MG |
| 5 | Ensamble del Marco de la Puerta – Canela | 3 | ----- | LKDF1278-6SVP-PT |
| 5 | Ensamble del Marco de la Puerta – Gris | 3 | ----- | LKDF1278-6SVP-MG |
| 6 | Puerta – Canela | 18 | H-5552-DOOR | LKD1272-6SVP-PT |
| 6 | Puerta – Gris | 18 | ----- | LKD1272-6SVP-MG |
| 7 | Pestillo de Cierre Cuadrado de la Puerta | 18 | H-6619 | KBLP100 |
| 8 | Placa Numerada | 18 | H-5553-NMBRQ | NPH |
| 9 | Pata Posterior | 2 | ----- | KLK |
| 10 | Paquete de Tomillería Incluye: • (218) Pernos • (182) Tuercas • (36) Tuercas de Domo | 1 | H-6620 | HDW3228-6NPL |
| 11 | Pasador de Empuje | 36 | ----- | ----- |

ULINE H-5553

CASIER À PORTES TRANSPARENTES – 3 COLONNES, 6 RANGÉES

1-800-295-5510
uline.ca



| # | DESCRIPTION | QTÉ | RÉF. ULINE | RÉF. DU FABRICANT |
|----|---|-----|--------------|-------------------|
| 1 | Panneau arrière – Sable | 3 | ----- | KR3672-PT |
| 1 | Panneau arrière – Gris | 3 | ----- | KR3672-MG |
| 2 | Panneau latéral droit/gauche – Sable | 4 | H-5552U-PAN | KP1872-PT |
| 2 | Panneau latéral droit/gauche – Gris | 4 | H-5553-SIDEQ | KP1872-MG |
| 3 | Tablette supérieure/inférieure – Sable | 6 | ----- | KS3618-PT |
| 3 | Tablette supérieure/inférieure – Gris | 6 | ----- | KS3618-MG |
| 4 | Tablette – Sable | 15 | H-5553-SHELF | KH3618-PT |
| 4 | Tablette – Gris | 15 | ----- | KH3618-MG |
| 5 | Ensemble de cadre de porte – Sable | 3 | ----- | LKDF1278-6SVP-PT |
| 5 | Ensemble de cadre de porte – Gris | 3 | ----- | LKDF1278-6SVP-MG |
| 6 | Porte – Sable | 18 | H-5552-DOOR | LKD1272-6SVP-PT |
| 6 | Porte – Gris | 18 | ----- | LKD1272-6SVP-MG |
| 7 | Tirette du loquet de la porte | 18 | H-6619 | KBLP100 |
| 8 | Plaque numérotée | 18 | H-5553-NMBRQ | NPH |
| 9 | Pied arrière | 2 | ----- | KLG |
| 10 | Le matériel d'installation comprend : • Boulon (218) • Écrou (182) • Écrou borgne (36) | 1 | H-6620 | HDW3228-6NPL |
| 11 | Punaise | 36 | ----- | ----- |