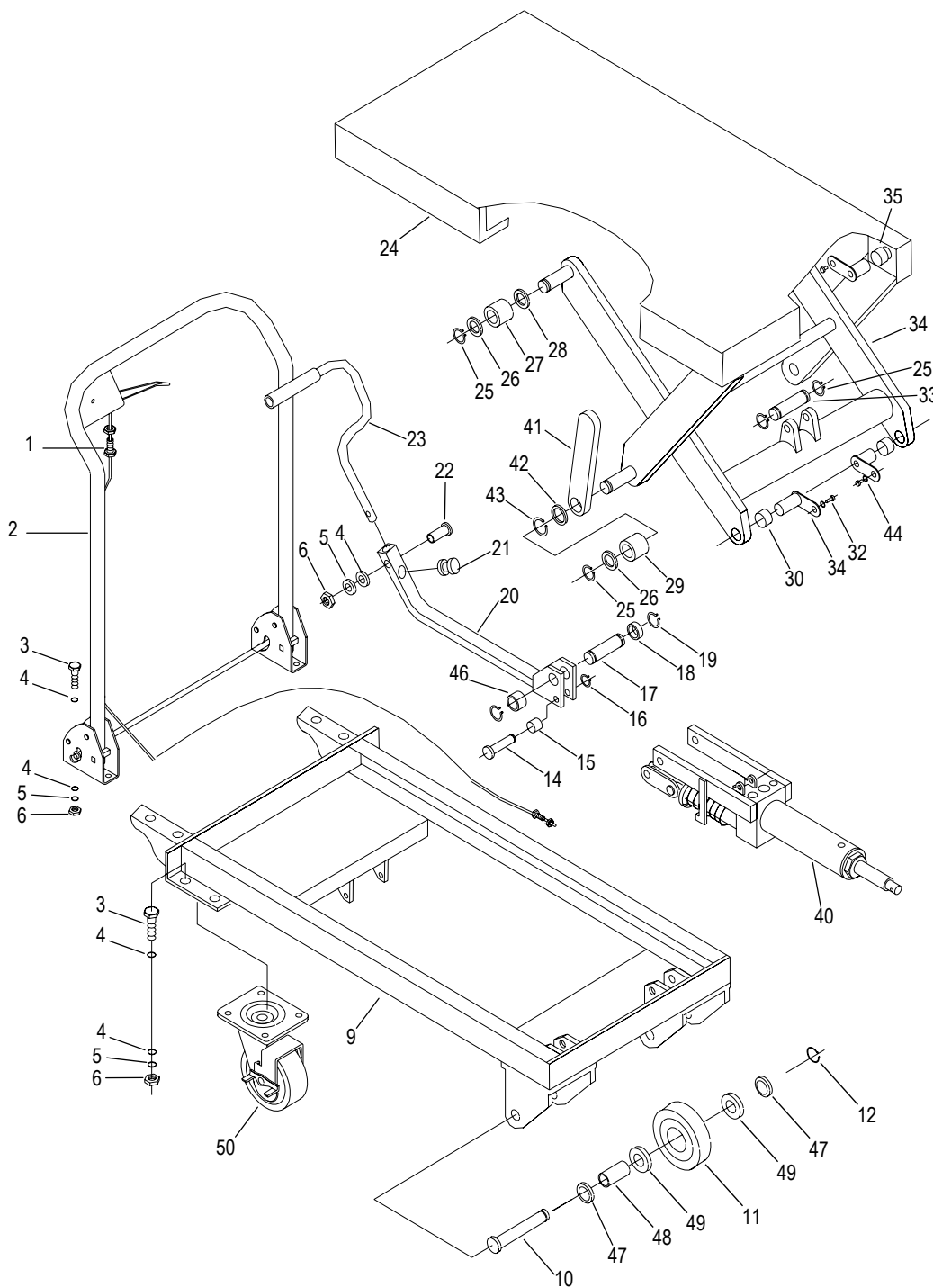


ULINE H-1486, H-1487

MANUAL LIFT TABLE –

32 x 20"

1-800-295-5510
uline.com



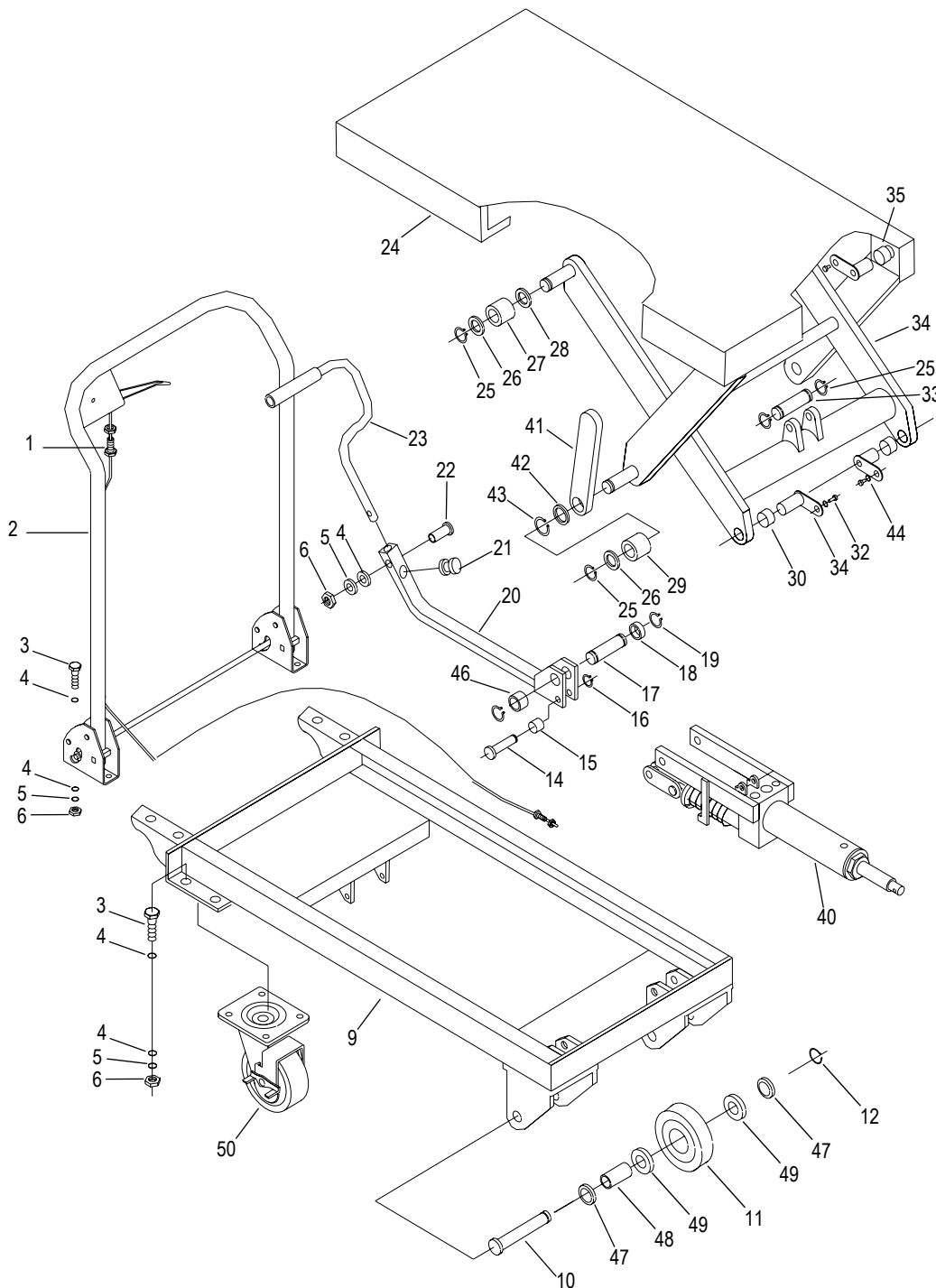
ULINE H-1486, H-1487
MANUAL LIFT TABLE –
32 x 20"

1-800-295-5510
 uline.com

#	DESCRIPTION	QTY.	ULINE PART NO.	MFG. PART NO.
1	Pull Rod	1	H-1486-2	PT#2/SPA300
2	Handle Bar	1	H-1487-HBAR	SP1-00
3	Bolt M8x25	12	-----	GB5781-2000
4	Washer 8	25	-----	GB95-1985
5	Washer 8	13	-----	GB93-1987
6	Nut M8	13	-----	GB41-86
9	Frame	1	-----	SPC500
10	Shaft	2	-----	SP008
11	Rigid Wheel Complete	2	H-1486-RIGID	H-1486-RIGID
12	Retaining Ring for Axle 12	2	H-1783-22	GB8941-86
14	Shaft	1	-----	SP011
15	Bushing	1	-----	SP012
16	Retaining Ring for Axle 10	1	H-1783-22	GB8941-86
17	Shaft	1	-----	SPS003
18	Retaining Ring	1	-----	YQ7
19	Retaining Ring for Axle 20	2	H-1783-22	GB8941-86
20	Connecting Rod	1	-----	SP304B
21	Cushion	1	-----	SP303
22	Bolt M8x30	1	-----	GB5781-2000
23	Pedal Bar	1	-----	SP302
24	Table	1	-----	SPC700
25	Retaining Ring for Axle 16	6	H-1783-22	GB8941-86
26	Washer 16	4	-----	GB848-1985
27	Washer	2	-----	SP612
28	Washer	2	-----	SP611
29	Roller	2	-----	SP610
30	Bushing	2	H-1486-30Q	SP601
31	L-Pin	4	-----	SP002
32	Bolt M6x10	4	-----	GB7085
33	Shaft	1	H-1486-23	SP003
34	Arm	1	H-1486-24	SPC600
35	Bushing	2	-----	SF11612
40	Pump (For H-1486)	1	H-1486-29	YQ00-500
40	Pump (For H-1487)	1	H-1487-PUMP	YQ-00150
41	Support	2	-----	SPC607
42	Washer	2	-----	SPA407
43	Retaining Ring for Axle 24	2	H-1783-22	GB8941-86
44	Washer 6	4	-----	GB93-1987
46	Retaining Ring	1	-----	YQ8
47	Bushing	4	-----	SP006
48	Hollow Shaft	2	-----	SP007
49	Bearing 6203	4	-----	GB276-86
50	Swivel Wheel Complete	2	H-1486-SWVL	-----

ULINE H-1486, H-1487
MESA DE ELEVACIÓN
MANUAL – 32 x 20"

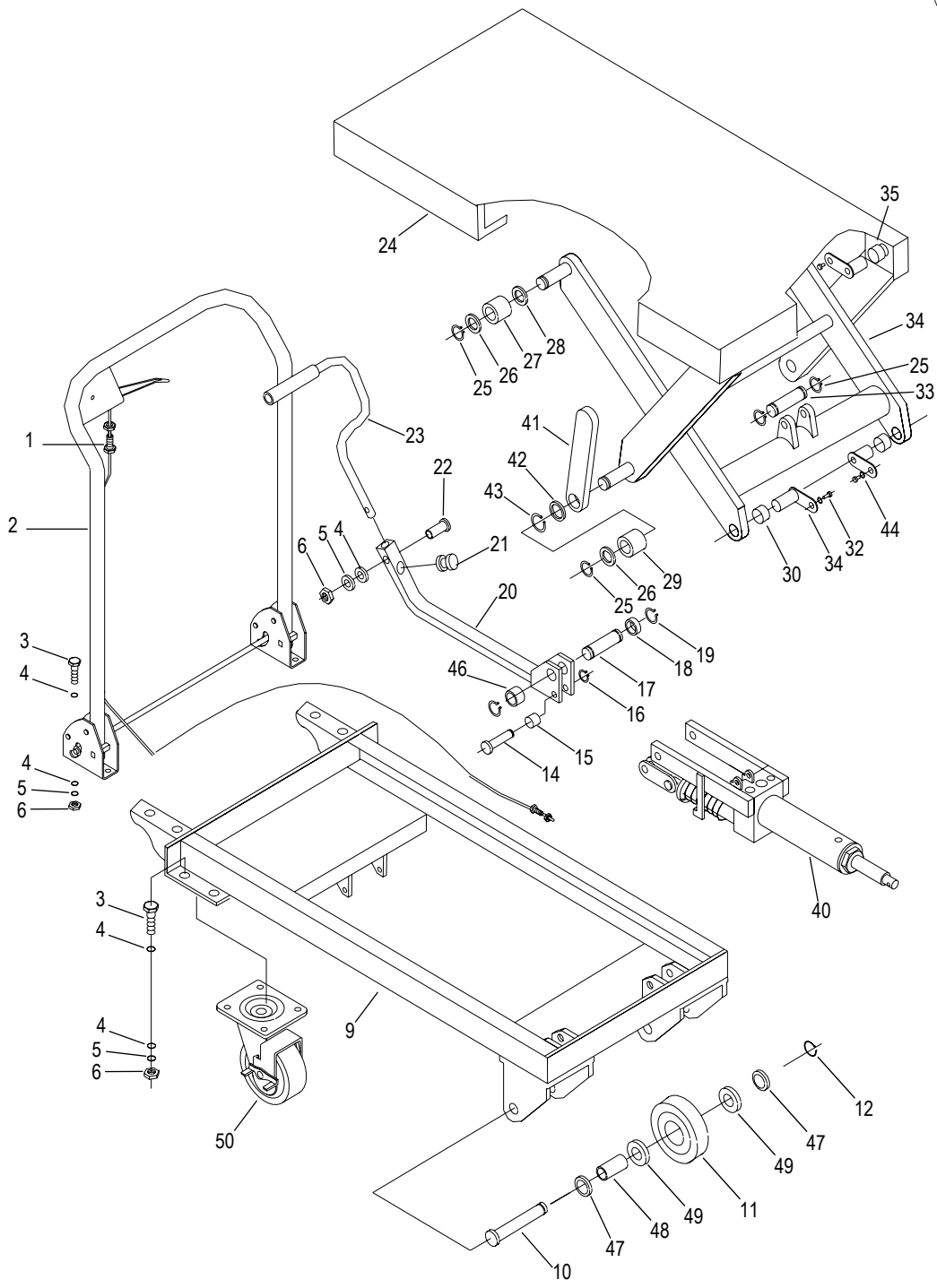
800-295-5510
uline.mx



#	DESCRIPCIÓN	CANT.	NO. DE PARTE DE ULINE	NO. DE PARTE DEL FABRICANTE
1	Varilla de Apoyo	1	H-1486-2	PT#2/SPA300
2	Barra de Asa	1	H-1487-HBAR	SP1-00
3	Pernos M8x25	12	-----	GB5781-2000
4	Rondana 8	25	-----	GB95-1985
5	Rondana 8	13	-----	GB93-1987
6	Tuerca M8	13	-----	GB41-86
9	Armazón	1	-----	SPC500
10	Eje	2	-----	SP008
11	Rueda Rígida Completa	2	H-1486-RIGID	H-1486-RIGID
12	Anillo de Retención para Eje 12	2	H-1783-22	GB8941-86
14	Eje	1	-----	SP011
15	Casquillo	1	-----	SP012
16	Anillo de Retención para Eje 10	1	H-1783-22	GB8941-86
17	Eje	1	-----	SPS003
18	Anillo de Retención	1	-----	YQ7
19	Anillo de Retención para Eje 20	2	H-1783-22	GB8941-86
20	Varilla de Conexión	1	-----	SP304B
21	Cojín	1	-----	SP303
22	Perno M8x30	1	-----	GB5781-2000
23	Barra del Pedal	1	-----	SP302
24	Mesa	1	-----	SPC700
25	Anillo de Retención para Eje 16	6	H-1783-22	GB8941-86
26	Rondana 16	4	-----	GB848-1985
27	Rondana	2	-----	SP612
28	Rondana	2	-----	SP611
29	Rodillo	2	-----	SP610
30	Casquillo	2	H-1486-3OQ	SP601
31	Perno en L	4	-----	SP002
32	Perno M6x10	4	-----	GB7085
33	Eje	1	H-1486-23	SP003
34	Brazo	1	H-1486-24	SPC600
35	Casquillo	2	-----	SF11612
40	Bomba (Para H-1486)	1	H-1486-29	YQ00-500
40	Bomba (Para H-1487)	1	H-1487-PUMP	YQ-00150
41	Soporte	2	-----	SPC607
42	Rondana	2	-----	SPA407
43	Anillo de Retención para Eje 24	2	H-1783-22	GB8941-86
44	Rondana 6	4	-----	GB93-1987
46	Anillo de Retención	1	-----	YQ8
47	Casquillo	4	-----	SP006
48	Eje Hueco	2	-----	SP007
49	Balero 6203	4	-----	GB276-86
50	Llanta Giratoria Completa	2	H-1486-SWVL	-----

ULINE H-1486, H-1487
TABLE ÉLÉVATRICE
MANUELLE – 32 x 20 po

1-800-295-5510
 uline.ca



#	DESCRIPTION	QTÉ	REF. ULINE	REF. DU FABRICANT
1	Tige de traction	1	H-1486-2	PT#2/SPA300
2	Barre d'appui	1	H-1487-HBAR	SP1-00
3	Boulon M8 x 25	12	-----	GB5781-2000
4	Rondelle 8	25	-----	GB95-1985
5	Rondelle 8	13	-----	GB93-1987
6	Écrou M8	13	-----	GB41-86
9	Structure	1	-----	SPC500
10	Arbre	2	-----	SP008
11	Roue rigide	2	H-1486-RIGID	H-1486-RIGID
12	Bague de retenue pour essieu 12	2	H-1783-22	GB8941-86
14	Arbre	1	-----	SP011
15	Bague	1	-----	SP012
16	Bague de retenue pour essieu 10	1	H-1783-22	GB8941-86
17	Arbre	1	-----	SPS003
18	Bague de retenue	1	-----	YQ7
19	Bague de retenue pour essieu 20	2	H-1783-22	GB8941-86
20	Barre de liaison	1	-----	SP304B
21	Coussin	1	-----	SP303
22	Boulon M8 x 30	1	-----	GB5781-2000
23	Barre à pédale	1	-----	SP302
24	Table	1	-----	SPC700
25	Bague de retenue pour essieu 16	6	H-1783-22	GB8941-86
26	Rondelle 16	4	-----	GB848-1985
27	Rondelle	2	-----	SP612
28	Rondelle	2	-----	SP611
29	Rouleau	2	-----	SP610
30	Bague	2	H-1486-3OQ	SP601
31	Goupille en L	4	-----	SP002
32	Boulon M6 x 10	4	-----	GB7085
33	Arbre	1	H-1486-23	SP003
34	Bras	1	H-1486-24	SPC600
35	Bague	2	-----	SF11612
40	Pompe (pour H-1486)	1	H-1486-29	YQ00-500
40	Pompe (pour H-1487)	1	H-1487-PUMP	YQ-00150
41	Support	2	-----	SPC607
42	Rondelle	2	-----	SPA407
43	Bague de retenue pour essieu 24	2	H-1783-22	GB8941-86
44	Rondelle 6	4	-----	GB93-1987
46	Bague de retenue	1	-----	YQ8
47	Bague	4	-----	SP006
48	Arbre creux	2	-----	SP007
49	Roulement 6203	4	-----	GB276-86
50	Roue pivotante	2	H-1486-SWVL	-----