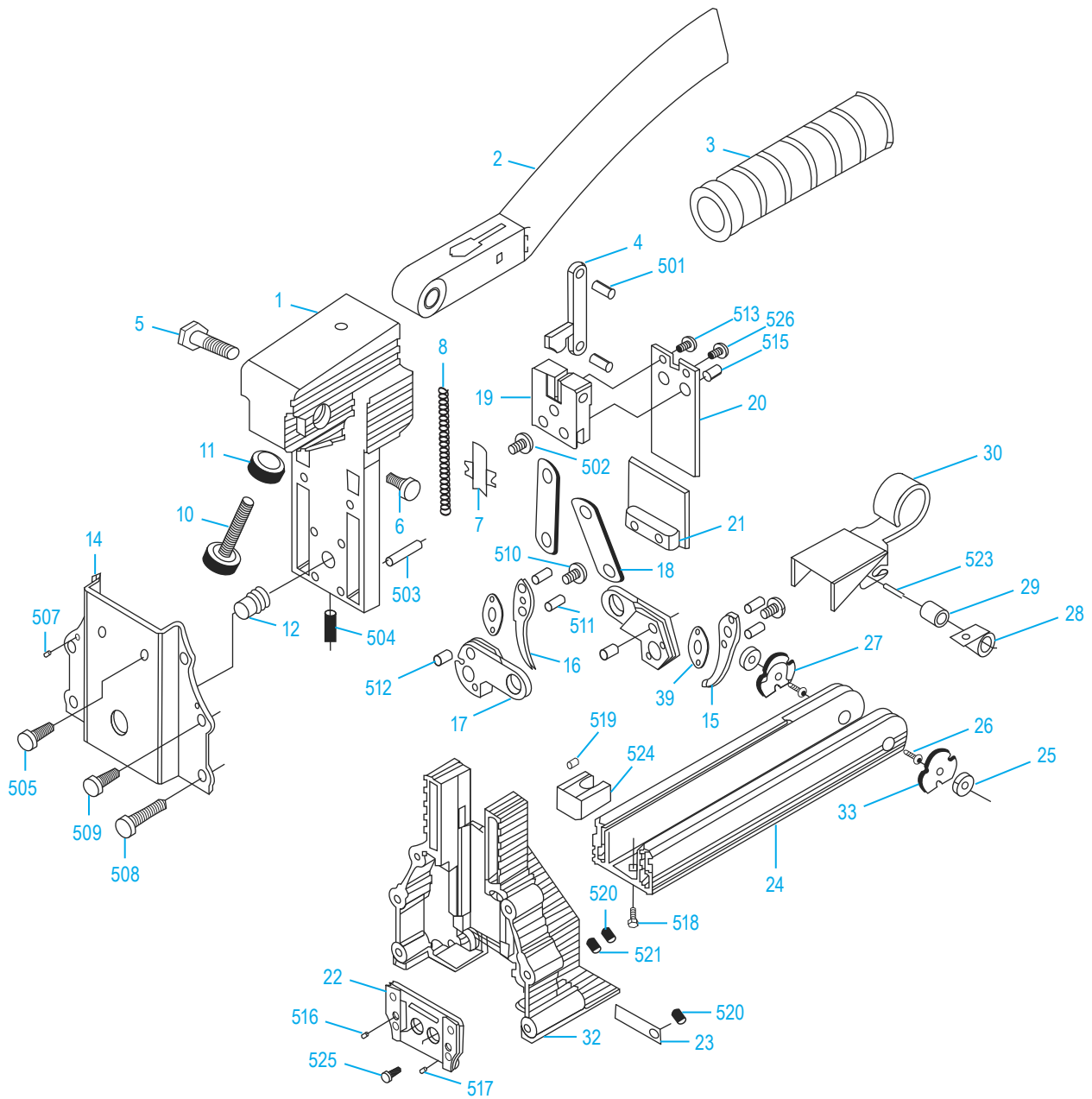
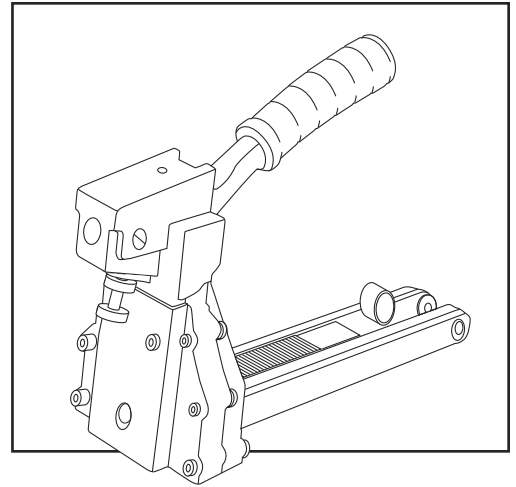


ULINE H-1026

3/4" MANUAL CARTON STAPLER TYPE "C"

1-800-295-5510
uline.com



ULINE H-1026
3/4" MANUAL CARTON
STAPLER TYPE "C"

1-800-295-5510
 uline.com

| # | DESCRIPTION | QTY. | ULINE PART NO. | MFG. PART NO. |
|----|--------------------|------|----------------|---------------|
| 1 | Body | 1 | H-1026-BODY | A00300110 |
| 2 | Handle | 1 | H-1025-002 | A00300201 |
| 3 | Handle Grip | 1 | H-1025-003 | A00300301 |
| 4 | Link | 1 | ----- | A01103001 |
| 5 | Pivot Pin | 1 | ----- | A00300501 |
| 6 | Pivot Screw | 1 | ----- | A00300601 |
| 7 | Cover | 1 | ----- | A01102801 |
| 8 | Spring | 1 | H-1024-008 | A01102901 |
| 10 | Adjustment Screw | 1 | H-1025-SCREW | A00301001 |
| 11 | Adjustment Nut | 1 | H-1026-NUT | A00301101 |
| 12 | Adjustment Rod | 1 | ----- | A00101801 |
| 14 | Front Plate | 1 | ----- | A00302201 |
| 15 | Right Teeth | 1 | H-1024-015 | A00102102 |
| 16 | Left Teeth | 1 | H-1024-016 | A00102202 |
| 17 | Teeth Seat | 2 | H-1027-023 | A00102301 |
| 18 | Plate | 2 | ----- | A00102401 |
| 19 | Block | 1 | ----- | A00301902 |
| 20 | Driver | 1 | H-1030-026 | A01201706 |
| 21 | Cover Unit | 1 | ----- | A00102702A |
| 22 | Driver Guide Unit | 1 | H-1027-028 | A01201102P |
| 23 | Plate | 2 | H-1028-29 | A00102901 |
| 24 | Magazine | 1 | H-1026-3008 | A00103008 |
| 25 | Rod Nut | 2 | H-1027-031 | A00103102 |
| 26 | Rod | 2 | H-1027-032 | A00103203 |
| 27 | Right Pusher Guide | 1 | H-1027-039 | A00103903A |
| 28 | Spring | 1 | H-1024-028 | A00103401 |
| 29 | Roller | 1 | H-1027-035 | A00103501 |

ULINE H-1026
**3/4" MANUAL CARTON
 STAPLER TYPE "C"**

1-800-295-5510
 uline.com

| # | DESCRIPTION | QTY. | ULINE PART NO. | MFG. PART NO. |
|-----|---|------|----------------|---------------|
| 30 | Pusher Unit | 1 | H-1025-030 | A00103706A |
| 32 | Magazine Seat | 1 | H-1027-38 | A00103804 |
| 33 | Left Pusher Guide | 1 | H-1027-040 | A00103904A |
| 39 | Washer | 2 | H-1030-PLATE | A00105001 |
| 501 | Spring Pin | 2 | H-1026-SP | BAA050020 |
| 502 | Hexagonal Socket Head Bolt | 2 | ----- | BAC0404062 |
| 503 | Rod | 2 | ----- | A00104701 |
| 504 | Hexagonal Socket Headless Bolt | 1 | ----- | BAC0306142 |
| 505 | Hexagonal Socket Head Bolt | 2 | ----- | BAC0605142 |
| 507 | Spring Pin | 4 | H-1028SPRGPN | BAA030010 |
| 508 | Hexagonal Socket Head Bolt | 2 | ----- | BAC0405502 |
| 509 | Hexagonal Socket Head Bolt | 4 | ----- | BAC0405302 |
| 510 | Hexagonal Socket Flat Countersunk Screw | 2 | H-1030-510 | A00106201 |
| 511 | Pin | 4 | H-1030-533 | A00104501 |
| 512 | Pin | 2 | H-1027-PIN | A00104602 |
| 513 | Hexagonal Socket Head Bolt | 2 | ----- | BAC0604102 |
| 515 | Spring Pin | 2 | H-1030-537 | BAA060016-R |
| 516 | Flat Head Screw | 2 | ----- | BAC0102101 |
| 517 | Spring Pin | 2 | ----- | BAA020006 |
| 518 | Hexagonal Socket Flat Countersunk Screw | 1 | ----- | BAC0204222 |
| 519 | Lock Nut | 1 | H-1027-1041 | BAD01041 |
| 520 | Lock Nut | 6 | ----- | BAD02051 |
| 521 | Washer | 4 | ----- | BAE03051 |
| 523 | Spring Pin | 1 | H-1027-40016 | BAA040016 |
| 524 | Block | 1 | ----- | A00105601 |
| 525 | Hexagonal Socket Flat Countersunk Screw | 2 | ----- | BAC0204082 |
| 526 | Hexagonal Socket Flat Countersunk Screw | 1 | ----- | BAC0204062 |

ULINE H-1026
ENGRAPADORA
MANUAL "C" PARA
CAJAS - 3/4"

800-295-5510
 uline.mx

| # | DESCRIPCIÓN | CANT. | NO. DE PARTE DE ULINE | NO. DE PARTE DEL FABRICANTE |
|----|-----------------------------|-------|-----------------------|-----------------------------|
| 1 | Cuerpo | 1 | H-1026-BODY | A00300110 |
| 2 | Mango | 1 | H-1025-002 | A00300201 |
| 3 | Agarre del Mango | 1 | H-1025-003 | A00300301 |
| 4 | Enlace | 1 | ----- | A01103001 |
| 5 | Clavija Giratoria | 1 | ----- | A00300501 |
| 6 | Tornillo de Pivote | 1 | ----- | A00300601 |
| 7 | Cubierta | 1 | ----- | A01102801 |
| 8 | Resorte | 1 | H-1024-008 | A01102901 |
| 10 | Tornillo de Ajuste | 1 | H-1025-SCREW | A00301001 |
| 11 | Tuerca de Ajuste | 1 | H-1026-NUT | A00301101 |
| 12 | Varilla de Ajuste | 1 | ----- | A00101801 |
| 14 | Placa Frontal | 1 | ----- | A00302201 |
| 15 | Dientes Derechos | 1 | H-1024-015 | A00102102 |
| 16 | Dientes Izquierdos | 1 | H-1024-016 | A00102202 |
| 17 | Asiento para Dientes | 2 | H-1027-023 | A00102301 |
| 18 | Placa | 2 | ----- | A00102401 |
| 19 | Bloque | 1 | ----- | A00301902 |
| 20 | Impulsor | 1 | H-1030-026 | A01201706 |
| 21 | Unidad de Cubierta | 1 | ----- | A00102702A |
| 22 | Unidad de Guía del Impulsor | 1 | H-1027-028 | A01201102P |
| 23 | Placa | 2 | H-1028-29 | A00102901 |
| 24 | Cargador | 1 | H-1026-3008 | A00103008 |
| 25 | Tuerca de Varilla | 2 | H-1027-031 | A00103102 |
| 26 | Varilla | 2 | H-1027-032 | A00103203 |
| 27 | Guía de Empujador Derecho | 1 | H-1027-039 | A00103903A |
| 28 | Resorte | 1 | H-1024-028 | A00103401 |
| 29 | Rodillo | 1 | H-1027-035 | A00103501 |

ULINE H-1026
ENGRAPADORA
MANUAL "C" PARA
CAJAS - 3/4"

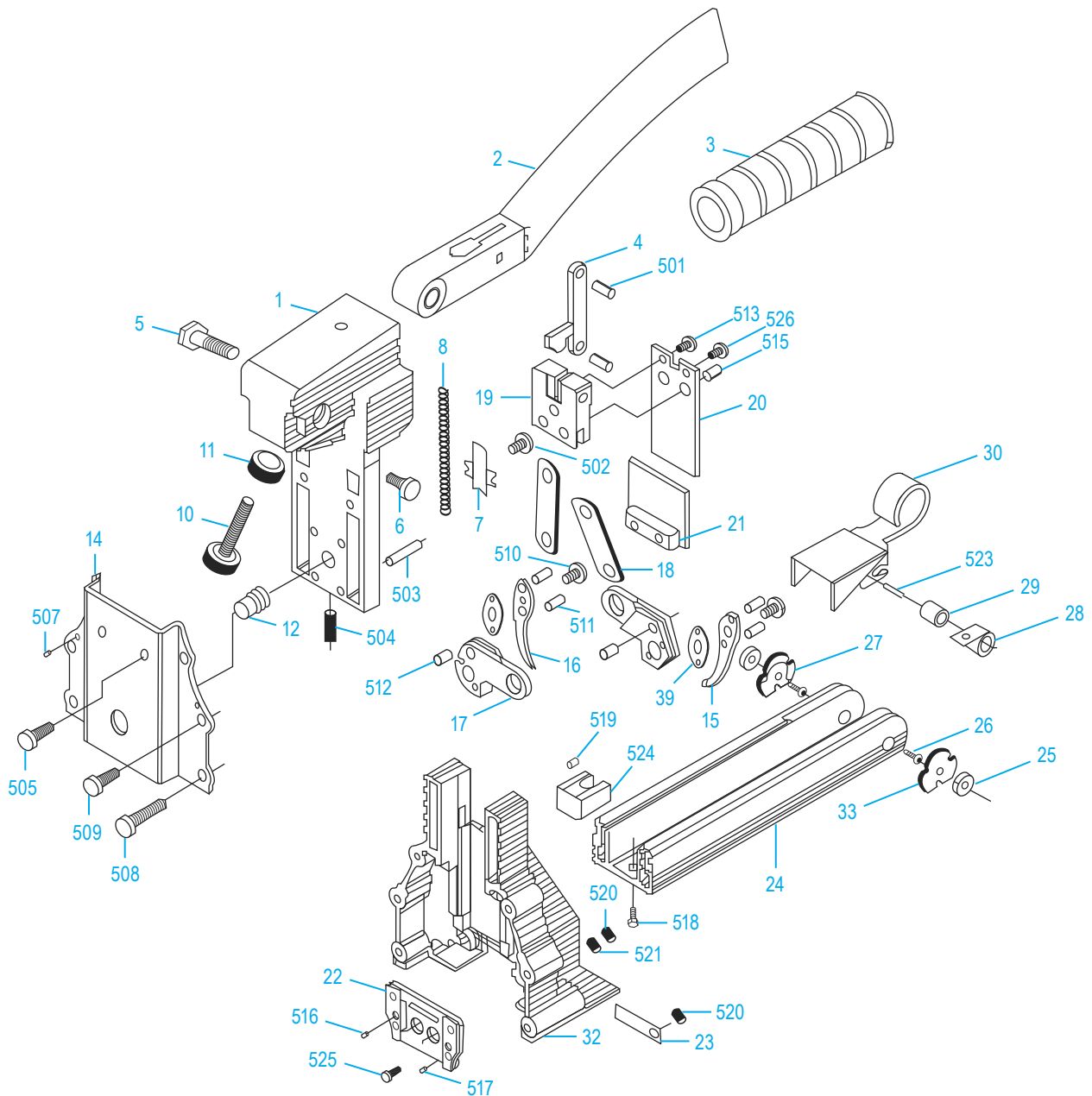
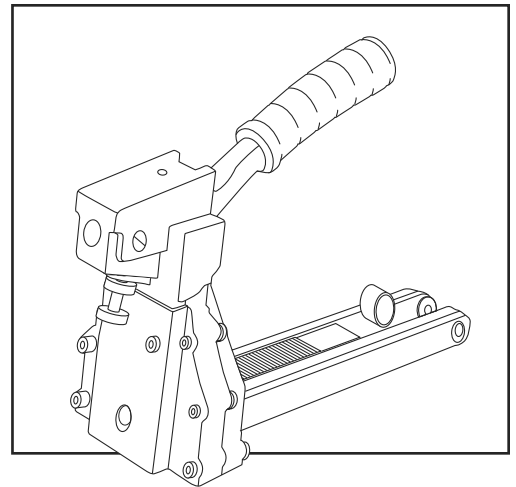
800-295-5510
 uline.mx

| # | DESCRIPCIÓN | CANT. | NO. DE PARTE DE ULINE | NO. DE PARTE DEL FABRICANTE |
|-----|--|-------|-----------------------|-----------------------------|
| 30 | Unidad de Empujador | 1 | H-1025-030 | A00103706A |
| 32 | Soporte de Cargador | 1 | H-1027-38 | A00103804 |
| 33 | Guía de Empujador Izquierdo | 1 | H-1027-040 | A00103904A |
| 39 | Rondana | 2 | H-1030-PLATE | A00105001 |
| 501 | Perno con Resorte | 2 | H-1026-SP | BAA050020 |
| 502 | Perno con Cabeza con Orificio Hexagonal | 2 | ----- | BAC0404062 |
| 503 | Varilla | 2 | ----- | A00104701 |
| 504 | Perno sin Cabeza con Orificio Hexagonal | 1 | ----- | BAC0306142 |
| 505 | Perno con Cabeza con Orificio Hexagonal | 2 | ----- | BAC0605142 |
| 507 | Perno con Resorte | 4 | H-1028SPRGPN | BAA030010 |
| 508 | Perno con Cabeza con Orificio Hexagonal | 2 | ----- | BAC0405502 |
| 509 | Perno con Cabeza con Orificio Hexagonal | 4 | ----- | BAC0405302 |
| 510 | Tornillo Avellanado Plano con Orificio Hexagonal | 2 | H-1030-510 | A00106201 |
| 511 | Clavija | 4 | H-1030-533 | A00104501 |
| 512 | Clavija | 2 | H-1027-PIN | A00104602 |
| 513 | Perno con Cabeza con Orificio Hexagonal | 2 | ----- | BAC0604102 |
| 515 | Perno con Resorte | 2 | H-1030-537 | BAA060016-R |
| 516 | Tornillo de Cabeza Plana | 2 | ----- | BAC0102101 |
| 517 | Perno con Resorte | 2 | ----- | BAA020006 |
| 518 | Tornillo Avellanado Plano con Orificio Hexagonal | 1 | ----- | BAC0204222 |
| 519 | Contratuerca | 1 | H-1027-1041 | BAD01041 |
| 520 | Contratuerca | 6 | ----- | BAD02051 |
| 521 | Rondana | 4 | ----- | BAE03051 |
| 523 | Perno con Resorte | 1 | H-1027-40016 | BAA040016 |
| 524 | Bloque | 1 | ----- | A00105601 |
| 525 | Tornillo Avellanado Plano con Orificio Hexagonal | 2 | ----- | BAC0204082 |
| 526 | Tornillo Avellanado Plano con Orificio Hexagonal | 1 | ----- | BAC0204062 |

ULINE H-1026

**AGRAFEUSE MANUELLE
POUR BOÎTES DE TYPE
« C » - 3/4 po**

1-800-295-5510
uline.ca



| # | DESCRIPTION | QTÉ | RÉF. ULINE | RÉF. DU FABRICANT |
|----|--------------------------|-----|--------------|-------------------|
| 1 | Corps | 1 | H-1026-BODY | A00300110 |
| 2 | Poignée | 1 | H-1025-002 | A00300201 |
| 3 | Manchon de poignée | 1 | H-1025-003 | A00300301 |
| 4 | Lien | 1 | ----- | A01103001 |
| 5 | Axe d'articulation | 1 | ----- | A00300501 |
| 6 | Vis d'articulation | 1 | ----- | A00300601 |
| 7 | Couvercle | 1 | ----- | A01102801 |
| 8 | Ressort | 1 | H-1024-008 | A01102901 |
| 10 | Vis de réglage | 1 | H-1025-SCREW | A00301001 |
| 11 | Écrou de réglage | 1 | H-1026-NUT | A00301101 |
| 12 | Tige de réglage | 1 | ----- | A00101801 |
| 14 | Plaque avant | 1 | ----- | A00302201 |
| 15 | Dent droite | 1 | H-1024-015 | A00102102 |
| 16 | Dent gauche | 1 | H-1024-016 | A00102202 |
| 17 | Assise de dents | 2 | H-1027-023 | A00102301 |
| 18 | Plaque | 2 | ----- | A00102401 |
| 19 | Bloc | 1 | ----- | A00301902 |
| 20 | Lame de poussée | 1 | H-1030-026 | A01201706 |
| 21 | Couvercle | 1 | ----- | A00102702A |
| 22 | Guide de lame de poussée | 1 | H-1027-028 | A01201102P |
| 23 | Plaque | 2 | H-1028-29 | A00102901 |
| 24 | Magasin | 1 | H-1026-3008 | A00103008 |
| 25 | Écrou de tige | 2 | H-1027-031 | A00103102 |
| 26 | Tige | 2 | H-1027-032 | A00103203 |
| 27 | Guide droit de pousseur | 1 | H-1027-039 | A00103903A |
| 28 | Ressort | 1 | H-1024-028 | A00103401 |
| 29 | Rouleau | 1 | H-1027-035 | A00103501 |

| # | DESCRIPTION | QTÉ | RÉF. ULINE | RÉF. DU FABRICANT |
|-----|---|-----|--------------|-------------------|
| 30 | Pousseur | 1 | H-1025-030 | A00103706A |
| 32 | Assise de magasin | 1 | H-1027-38 | A00103804 |
| 33 | Guide gauche de pousseur | 1 | H-1027-040 | A00103904A |
| 39 | Rondelle | 2 | H-1030-PLATE | A00105001 |
| 501 | Cheville ressort | 2 | H-1026-SP | BAA050020 |
| 502 | Boulon à tête à six pans creux | 2 | ----- | BAC0404062 |
| 503 | Tige | 2 | ----- | A00104701 |
| 504 | Boulon sans tête à six pans creux | 1 | ----- | BAC0306142 |
| 505 | Boulon à tête à six pans creux | 2 | ----- | BAC0605142 |
| 507 | Cheville ressort | 4 | H-1028SPRGPN | BAA030010 |
| 508 | Boulon à tête à six pans creux | 2 | ----- | BAC0405502 |
| 509 | Boulon à tête à six pans creux | 4 | ----- | BAC0405302 |
| 510 | Vis à tête plate fraisée à six pans creux | 2 | H-1030-510 | A00106201 |
| 511 | Tige | 4 | H-1030-533 | A00104501 |
| 512 | Tige | 2 | H-1027-PIN | A00104602 |
| 513 | Boulon à tête à six pans creux | 2 | ----- | BAC0604102 |
| 515 | Cheville ressort | 2 | H-1030-537 | BAA060016-R |
| 516 | Vis à tête plate | 2 | ----- | BAC0102101 |
| 517 | Cheville ressort | 2 | ----- | BAA020006 |
| 518 | Vis à tête plate fraisée à six pans creux | 1 | ----- | BAC0204222 |
| 519 | Écrou freiné | 1 | H-1027-1041 | BAD01041 |
| 520 | Écrou freiné | 6 | ----- | BAD02051 |
| 521 | Rondelle | 4 | ----- | BAE03051 |
| 523 | Cheville ressort | 1 | H-1027-40016 | BAA040016 |
| 524 | Bloc | 1 | ----- | A00105601 |
| 525 | Vis à tête plate fraisée à six pans creux | 2 | ----- | BAC0204082 |
| 526 | Vis à tête plate fraisée à six pans creux | 1 | ----- | BAC0204062 |