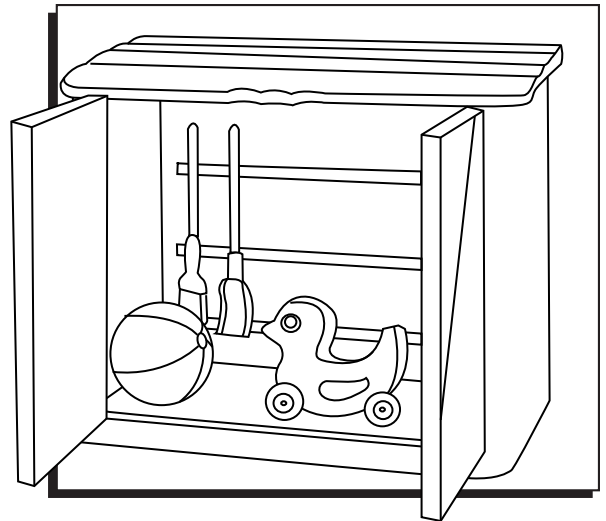


ULINE H-6581
HORIZONTAL
STORAGE SHED

1-800-295-5510
uline.com

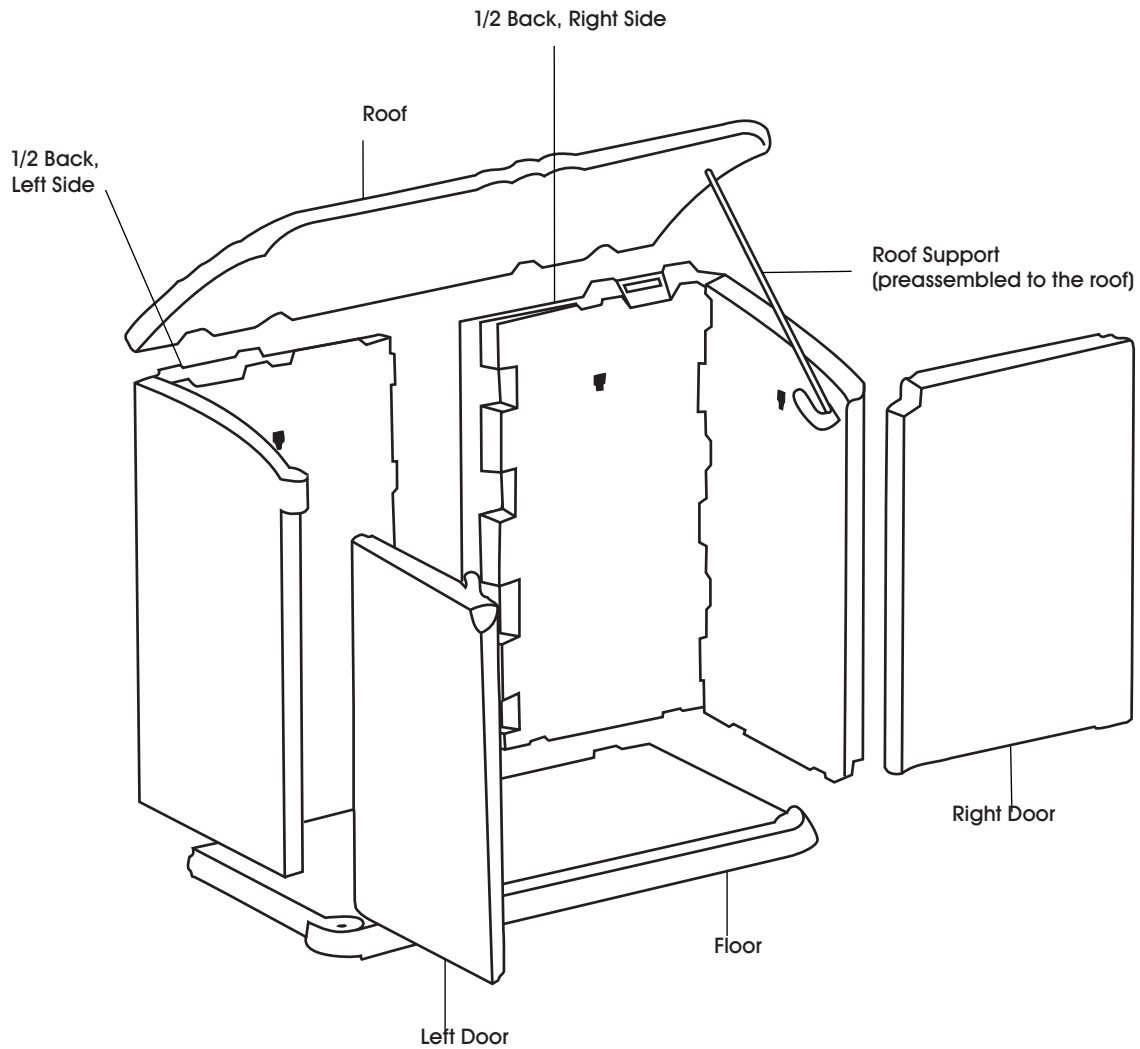


TOOL RECOMMENDED



Rubber Mallet

PARTS

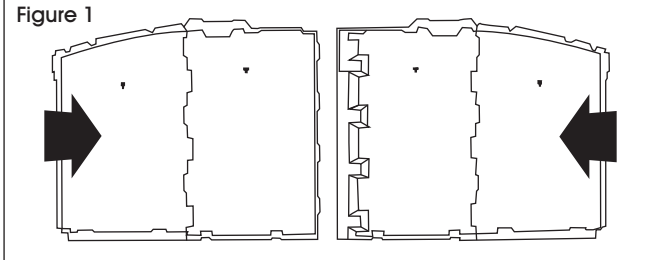


ASSEMBLY

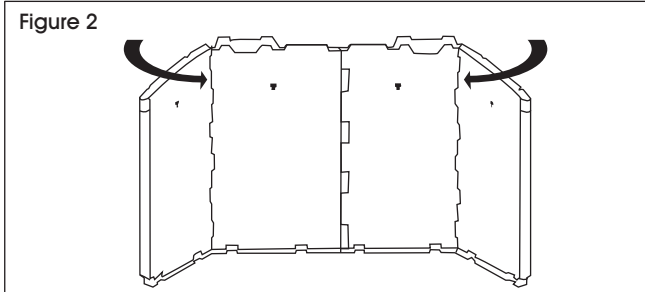


NOTE: Check that all parts are included in packaging. Names are molded into all parts. Select a site with level ground and good drainage. The door and roof function best when the shed is level.

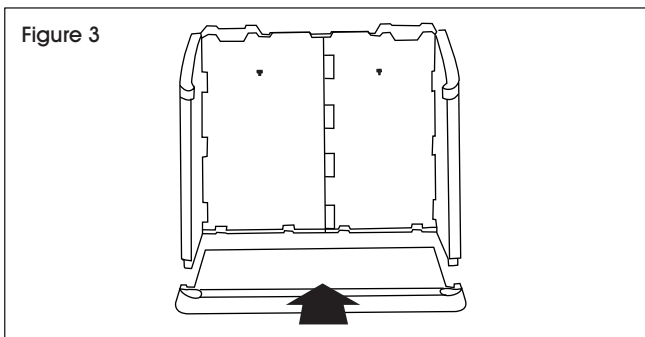
1. Slide the two back pieces together. (See Figure 1)



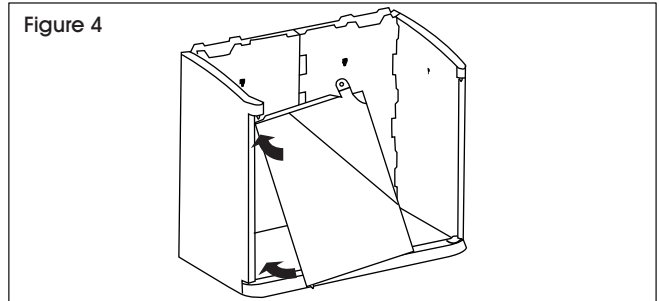
2. Bend the two sides to form a 90° angle with the back. (See Figure 2)



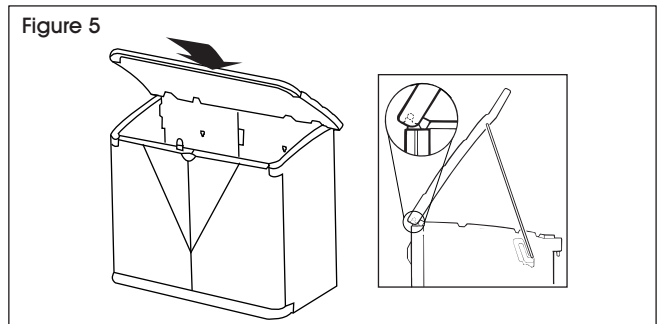
3. With the molded word "floor" facing up, slide the floor into place between the sides. You may need a rubber mallet to tap the floor into place. (See Figure 3)



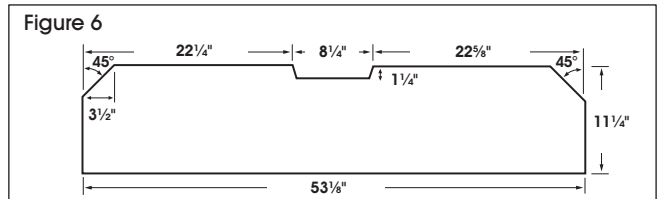
4. To install left door, align hole in top of door with pin on the side wall. Rotate door and snap pin on bottom of door into hole in floor. (See Figure 4)



5. Repeat with other side.
6. Slip roof support rod into guide formed in right panel. Slide the back of roof onto the pivot point on back. (See Figure 5)



7. A shelf can be easily added, if desired, by using standard 3/4" thick lumber cut to be fit into the molded-in shelf brackets. (See Figure 6)



NOTE: Insert the shelf with the clip corners facing the back of the shed. Insert the left end of the shelf first, then push the right end into place.

CARE INSTRUCTIONS

- Periodically inspect the shed to ensure proper assembly is maintained and site remains level.
- Clean shed using garden hose or wash with a mild detergent and water.
- The shed can be secured to any immovable object by drilling through four molded-in recessed areas in the back panel.

- The shed can also be secured by drilling through four floor locations and inserting stakes into the ground.



CAUTION! Do not clean with a stiff or abrasive cleaner. Wear safety glasses and follow the manufacturer's instructions when using power tools. Do not store hot yard equipment, grills or other hot materials in the shed.

ULINE CHICAGO • ATLANTA • DALLAS • LOS ANGELES • MINNEAPOLIS • NYC/PHILA • SEATTLE • MEXICO • CANADA

1-800-295-5510

uline.com