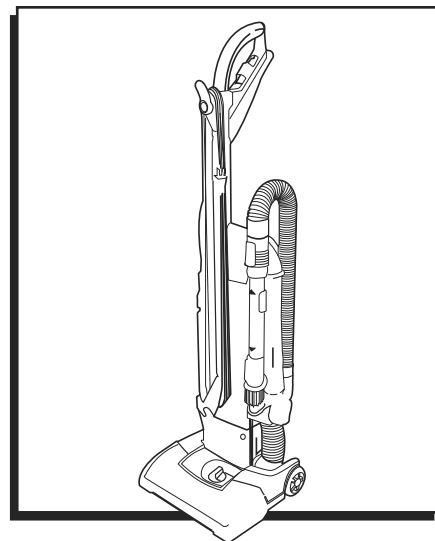


ULINE H-2268

SANITAIRE® UPRIGHT VACUUM

1-800-295-5510
uline.com



SAFETY



NOTE: When using an electrical appliance, basic precautions should always be followed, including the following: **READ ALL INSTRUCTIONS BEFORE USING THIS VACUUM CLEANER.**



WARNING! To reduce the risk of fire, electric shock, or injury:

- Do not use outdoors or on wet surfaces.
- Do not leave vacuum cleaner unattended when plugged in. Turn off the switch and unplug the electrical cord when not in use and before servicing.
- Do not allow to be used as a toy. Close attention is necessary when used by or near children.
- Use only as described in this manual. Use only the manufacturer's recommended attachments.
- Do not use with damaged cord or plug. If vacuum cleaner is not working as it should, has been dropped, damaged, left outdoors, or dropped into water, return it to a service center before using.
- Do not pull or carry by cord, use cord as a handle, close door on a cord, or pull cord around sharp edges or corners. Do not run vacuum cleaner over cord. Keep cord away from heated surfaces.
- Do not use extension cords or outlets with inadequate current-carrying capacity.
- Turn off all controls before unplugging.
- Do not unplug by pulling on cord. To unplug, grasp the plug, not the cord.
- Do not handle plug or vacuum cleaner with wet hands.
- Do not put any object into openings. Do not use with any opening blocked; keep free of dust, lint, hair or anything that may reduce airflow.
- This vacuum cleaner creates suction and contains a revolving brush roll. Keep hair, loose clothing, fingers and all parts of the body away from openings and moving parts.
- Do not place cleaner on furniture or stairs as the brush roll may cause damage. Place cleaner on floor with the handle in storage position while using attachments.
- Do not pick up anything that is burning or smoking, such as cigarettes, matches, or hot ashes.
- Do not use without dust bag or filter(s) in place.
- Belt pulleys can become hot during normal use. To prevent burns, avoid touching the belt pulley when servicing the drive belt.
- Use extra care when cleaning on stairs.
- Do not use to pick up flammable or combustible liquids such as gasoline, or use in areas where they may be present.
- Store your cleaner indoors in a cool, dry area.
- Keep your work area well lighted.
- Unplug electrical appliances before vacuuming them.

SAFETY CONTINUED

GROUNDING INSTRUCTIONS

This appliance must be grounded. If it should malfunction or break down, grounding provides a path of least resistance for electrical current to reduce the risk of electric shock.

The appliance is equipped with a cord having an equipment-grounding conductor and grounding plug. The plug must be plugged into an appropriate outlet that is properly installed and grounded in accordance with all local codes and ordinances.

ASSEMBLY

ASSEMBLY PACKET

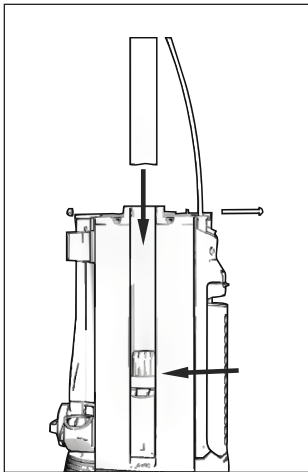
The assembly packet is with the owner's guide. The packet contains one machine bolt and nut to fasten the handle assembly to the container.



CAUTION! Fully assemble the vacuum cleaner before using.

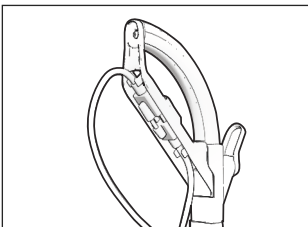
1. Open the dust bag cover. Slide the metal portion of the handle assembly down the channel until it fully seats on the lower retainer. (See Figure 1) Insert the machine screw through the housing and handle. Twist on nut and tighten. Close dust bag cover.

Figure 1



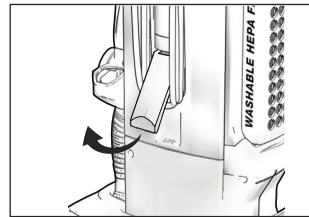
2. Plug extension cord into the pigtail connection. Secure the cord assembly into the retainers at the back of the handle. (See Figure 2)

Figure 2



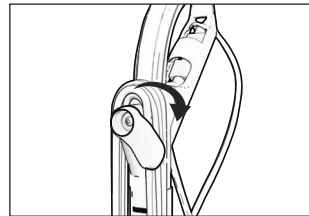
3. To store the power cord, lift out the lower cord hook and wrap the cord around the upper and lower cord hooks. (See Figure 3) The lower cord hook can be stored flat on the cleaner when not in use.

Figure 3



4. The power cord can be quickly released by pivoting the upper cord hook downward. Return the upper hook to the upright position for cord storage. (See Figure 4)

Figure 4



On models with cleaning attachments, place the wand into the lower retainer. Make sure the suction valve is set to the floor cleaning position. Secure the wand into the wand clip.

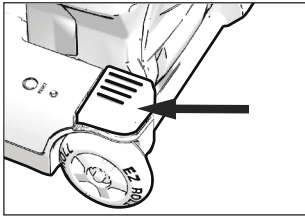
HOW TO USE

The upright vacuum cleaner is designed to be used on multiple types of carpeting. Do not attempt to use the upright cleaner with the brush roll operating on bare floors, as damage to the floor covering may result.

HANDLE ADJUSTMENT

1. With the tip of the foot, press down on the left portion of the handle release, located at the left rear side of the cleaner. Move the handle and adjust it to the desired height. The unit can lay completely flat for cleaning under low furniture. (See Figure 5)

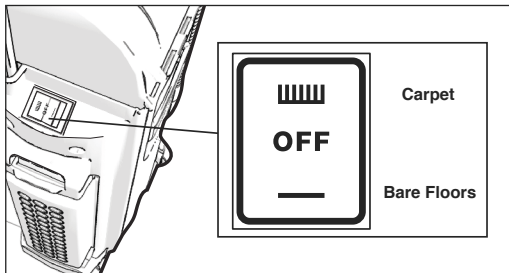
Figure 5



POWER SWITCH

1. The power switch is mounted on the top of the filter assembly on the left side of the cleaner. The power is off with the switch at the center position. Press the front of the switch for cleaning carpet, press on the rear of the switch to clean bare floors. (See Figure 6)

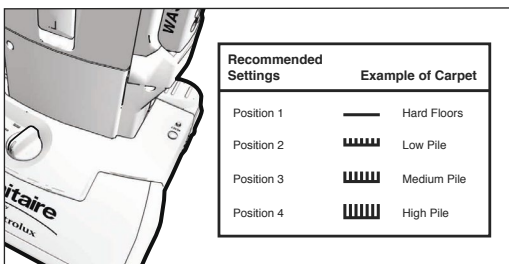
Figure 6



CLEANER HEIGHT SETTINGS

1. The front of the cleaner has an adjustment that raises or lowers the cleaner base to match type of carpet. (See Figure 7)

Figure 7



2. To determine correct height setting, start with the highest carpet setting.
3. Lower handle to operating position (to lower vacuum head to floor).
4. Then lower the setting one notch at a time until you hear the brush touching the carpet. This will be a noticeable sound change.

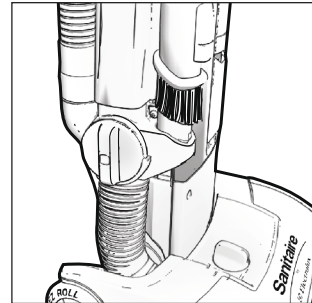


NOTE: Vacuum should not be difficult to push. Setting vacuum too low could cause premature wear on belts, brushes and motor.

ATTACHMENT CLEANING

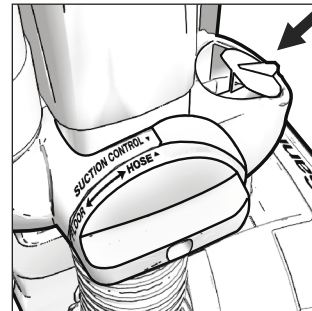
1. The cleaner easily converts to attachment cleaning. The cleaner should be locked into the upright position. Remove the wand assembly and rotate the suction control valve towards the back of the cleaner to the hose position. (See Figure 8)

Figure 8



2. The valve should be in a horizontal position with the indicator pointing to the hose setting. (See Figure 9)

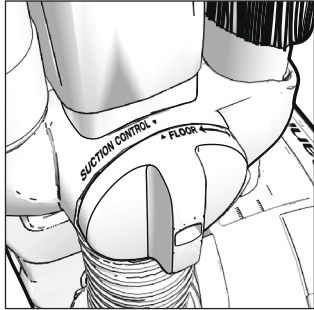
Figure 9



HOW TO USE CONTINUED

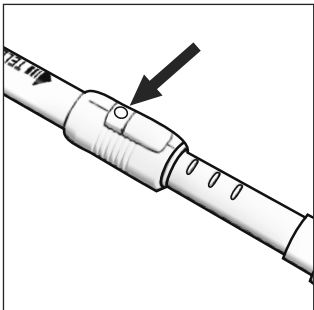
3. To return to floor cleaning, rotate the valve towards the front of the cleaner until the indicator points to the floor setting. Replace the wand into the lower retainer and secure into the wand clip. The cleaner is equipped with a wand device that prevents the wand from being stored until the suction control valve is set to the floor position. (See Figure 10)

Figure 10



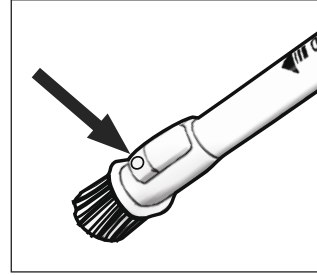
4. To extend the cleaning reach of the wand, push the dark gray button nearest the handle, and pull down on the outer wand section. Reverse the process before returning the wand to the storage position. (See Figure 11)

Figure 11



5. The wand assembly has a built-in crevice tool and a permanently attached dusting brush.
6. To engage the dusting brush, press the dark gray button and slide the brush over the crevice tool until it locks. Reverse the process for storage. (See Figure 12)

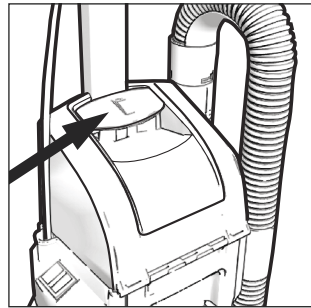
Figure 12



CHANGING THE DUST BAG

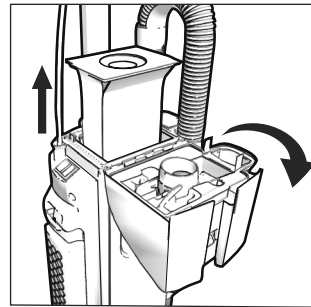
1. Pull up on the dust bin cover latch release and fully open the cover to expose the bag. (See Figure 13)

Figure 13



2. Pull the dust bag straight up to remove. Insert new bag and close the cover, making sure the latch locks into the handle. (See Figure 14)

Figure 14



NOTE: The dust bag cover will not latch without a dust bag installed.

MAINTENANCE



CAUTION! Turn off the switch and unplug the electrical cord before maintenance.

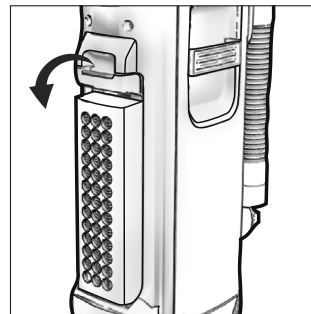


IMPORTANT! Improper installation of the brush roll or brush roll belt could cause carpet or cleaner damage.

HOW TO REPLACE THE HEPA FILTER ASSEMBLY

1. Pull down on the filter assembly latch to release. (See Figure 15)

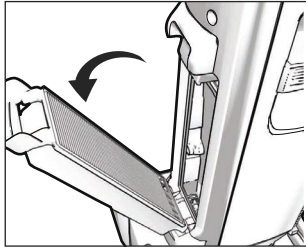
Figure 15



HOW TO REPLACE THE HEPA FILTER CONTINUED

- Pivot the filter away from the machine and remove. Install new filter by aligning the tabs at the bottom of the filter with the slots with the exhaust area of the cleaner and snap into place. (See Figure 16)

Figure 16

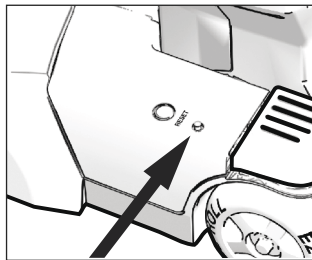


NOTE: This filter is washable and can be cleaned by rinsing the assembly with warm water. Be sure the filter is completely dry before reinstalling in the cleaner.

BRUSH ROLL MOTOR PROTECTION RESET

The cleaner will automatically shut off the brush roll motor if the brush roll stalls. This will be indicated by a red light on the handle base near the handle release. To reset the motor, clear any obstruction to the brush roll and press the reset switch. (See Figure 17)

Figure 17



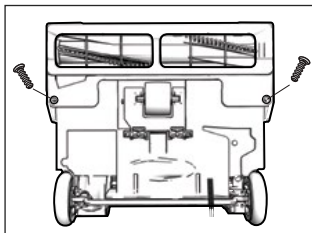
HOW TO CHANGE BELT AND SERVICE BRUSH ROLL



CAUTION! Belt pulleys can become hot during normal use. To prevent burns, avoid touching the belt pulley when servicing the drive belt.

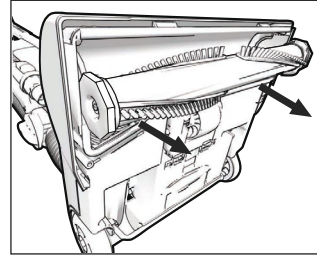
- Take out the 2 screws securing the sole plate and remove. (See Figure 18)

Figure 18



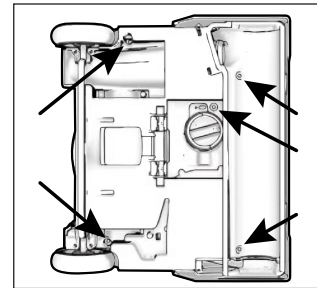
- Grasp both ends of the brush roll and pull out of the machine. (See Figure 19)

Figure 19



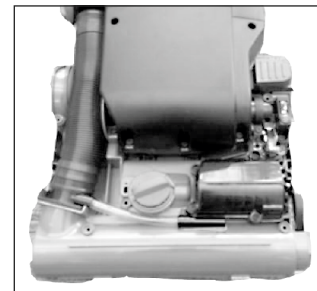
- To service the belt, remove five screws from underneath the base. (See Figure 20)

Figure 20



- Turn unit over to remove hood and belt. (See Figure 21)

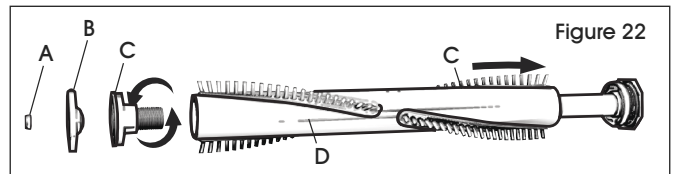
Figure 21



- At this time, clean any hair or string from brush roll, removing end caps if necessary.
- Reverse the steps to reinstall, making sure the new belt is secure and that the end caps of the brush roll are properly positioned to fully seat into the base.

HOW TO REPLACE BRUSH STRIPS

- From the non-pulley end, unscrew locknut (A) and remove end cap (B). Grasp outer sleeve and twist bearing retainer (C) counterclockwise to remove. Pull outer sleeve (D) off of remaining assembly. Pull out worn brush strip (E) with pliers. Slide in new same-length brush strip (rounded end first). Fit track on either side of the brush strip into the brush roll slot. (See Figure 22)

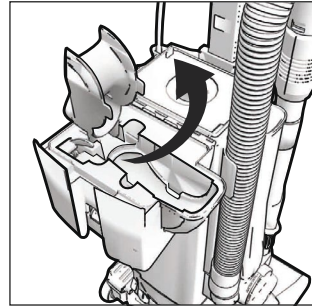


MAINTENANCE CONTINUED

HOW TO REPLACE BRUSH STRIPS CONTINUED

- b. Replace the second strip from opposite ends of the brush roll. Replace shaft. Align indentation on bearing pulley retainer (F) with brush strips and press outer tube (D) into position. Screw bearing pulley retainer (C) into inner tube until tight. Reassemble remainder of brush roll, making sure it turns freely, and secure to the base. (See Figure 22)

Figure 23



AIR PATH CLEANOUT

The cleaner is equipped with an air path cleanout, located at the turn leading into the dust bag. To access, open the dust bag cover and grasp the inlet assembly at the air path opening. Pull up on the hinged assembly to reveal the top of the air path. Clean out any debris and snap the inlet assembly back into place. (See Figure 23)

PRE-MOTOR FILTER



NOTE: Check the pre-motor filter located under the dust bag. Check the filter each time the dust bag is changed. Clean or replace as needed. Shake filter to remove excess dust. If necessary, the filter can be cleaned by vacuuming with another cleaner or washing with mild detergent. Reinstall filter when completely dry.

ROUTINE MAINTENANCE

DAILY

1. **Check Dust Bag** – Before each use, check the disposable dust bag and empty if three-quarters full or more.
2. **Belt Condition** – Check the belt for signs of wear. Change the belt when it is loose or has cuts or cracks. Refer to the diagram on the underside of the base for proper installation of belt and brushroll.
3. **Supply Cord and Plug** – Check supply cord and plug for any cuts or damage. If damaged, have the supply cord and plug assembly replaced by a qualified Sanitaire repair center.
4. **Motor** – If there are unusual sounds or if poor performance occurs, the motor should be inspected immediately by a qualified Sanitaire repair center.

WEEKLY

1. **Cloth Dust Bag** – Inspect the dust bag assembly for any unusual wear. Replace bent clips, stretched springs or a worn bag with genuine Sanitaire replacement parts.

2. **Brushroll Bristle Strips** – Check the bristles for wear once a week. The bristle strips should be replaced when the bristles are less than 1/4 inch in length.
3. **Brush Roll Condition** – Check for and remove any loose material such as string or hair wrapped around the brushroll.
4. **Filter** – Check the washable, reusable HEPA filter for clogs and clean or rinse as needed.

MONTHLY

1. **Cleaning** – Inspect and clean the vacuum, including the fan chamber and under the hood.
2. **Electrical** – Inspect the cord assembly for wear and check for proper handle assembly.
3. **Handle** – Check the handle assembly for tightness, and replace handle bolts if missing.
4. **Motor** – A qualified Sanitaire repair center should make a routine check of the motor every 6 months. Inspect the motor immediately if there are any unusual sounds or if poor performance occurs.
5. **Filter** – Check the washable, reusable HEPA filter for clogs and clean or rinse as needed.

TROUBLESHOOTING

OPERATING ISSUE	RECOMMENDATIONS
Belts continue to break.	<ol style="list-style-type: none"> 1. The agitator bar should be positioned so the belt lines up with the grooves on the bottom frame of the vacuum. 2. Ensure that vacuum is set to correct carpet height setting.
If there is little or no suction.	<ol style="list-style-type: none"> 1. There may be a clog in the hose. Take the hose apart at the top and bottom and remove the clog. 2. Clean or replace the HEPA filter assembly and/or pre-motor filter. 3. Ensure that vacuum is set to correct carpet height setting. 4. Check suction control valve to ensure it is set correctly. Can be set to Hose or Floor Cleaning.
Vacuum turns off while in use.	<ol style="list-style-type: none"> 1. The machine may turn off due to overheating. 2. Check to make sure nothing is caught on the brush roll and check for clogs. 3. You will need to press the reset button to restart the brush.
Vacuum has a burning smell.	<ol style="list-style-type: none"> 1. The belt may be damaged or something may be caught in the brush roll. 2. Check brush roll for obstruction. 3. Replace belt.
Brushes aren't turning.	<ol style="list-style-type: none"> 1. Check suction control valve to ensure that it is turned to floor cleaning. 2. Make sure vacuum is lowered into cleaning position. (Will not spin in upright storage position.)

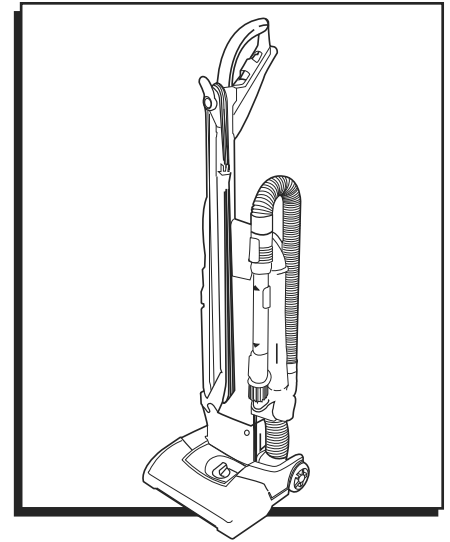


ULINE H-2268

**SANITAIRE® ASPIRADORA
VERTICAL**

800-295-5510

uline.mx



SEGURIDAD



NOTA: Hay ciertas medidas básicas que deben seguirse al utilizar un electrodoméstico, incluyendo las siguientes: **LEA TODAS LAS INSTRUCCIONES ANTES DE USAR ESTA ASPIRADORA.**



¡ADVERTENCIA! Para reducir el riesgo de incendio, descarga eléctrica o lesiones:

- No usar en exteriores ni en superficies mojadas.
- No deje la aspiradora sin supervisión cuando esté enchufada. Apague el interruptor y desenchufe el cable eléctrico cuando no esté en uso y antes de hacerle mantenimiento.
- No permita que se use como juguete. Preste especial atención cuando sea utilizada por niños o cerca de ellos.
- Se debe utilizar solo tal como se describe en este manual. Utilice solo los accesorios recomendados por el fabricante.
- No use con el cable o el enchufe dañados. Si la aspiradora no funciona como debiera, se ha caído, dañado, dejado en exteriores o caído en el agua, regrésela al centro de servicio antes de usarla.
- No debe: jalar o sostener por el cable, usar el cable como asa, cerrar la puerta sobre el cable ni jalar el cable alrededor de bordes o esquinas cable. No pase la aspiradora sobre el cable. Mantenga el cable lejos de superficies calientes.
- No utilice extensiones eléctricas o enchufes con la capacidad inadecuada de conducción de corriente.
- Apague todos los controles antes de desenchufar.
- No desenchufe el aparato jalando del cable. Para desenchufar, agarre el enchufe, no el cable.
- No toque el enchufe ni la aspiradora con las manos mojadas.
- No coloque ningún objeto en las aberturas. No lo use con las aberturas bloqueadas; manténgalo libre de polvo, pelusa, pelo y cualquier cosa que pueda reducir el flujo de aire.
- Esta aspiradora crea succión y contiene un rodillo de cepillo giratorio. Mantenga el cabello, la ropa suelta, los dedos y todas las partes del cuerpo alejados de las aberturas y piezas móviles.
- No coloque la aspiradora sobre muebles ni escaleras ya que el rodillo de cepillo puede causar daños. Coloque la aspiradora en el piso con el asa en la posición de almacenamiento mientras use los accesorios.
- No aspire nada que esté ardiendo o humeando, como cigarrillos, fósforos o cenizas calientes.
- No use si la bolsa o los filtros de polvo no están en su lugar.
- Las poleas de la correa pueden calentarse durante el uso normal. Para evitar quemaduras, no toque la polea cuando cambie la correa de transmisión.
- Tenga especial cuidado al limpiar sobre escaleras.
- No la use para aspirar líquidos inflamables o combustibles, tales como gasolina, ni la use en áreas donde estos puedan estar presentes.
- Guarde su aspiradora bajo techo en un lugar fresco y seco.
- Mantenga su área de trabajo bien iluminada.
- Desconecte los aparatos eléctricos antes de aspirarlos.

CONTINUACIÓN DE MEDIDAS DE SEGURIDAD

INSTRUCCIONES PARA HACER TIERRA

Este electrodoméstico debe hacer tierra. Si llegase a funcionar mal o se descompone, el hacer tierra proporciona la ruta de menor resistencia para la corriente eléctrica para reducir el riesgo de descarga eléctrica.

El electrodoméstico está equipado con un cable que tiene un conductor para hacer tierra de equipos y un enchufe también con tierra. El enchufe debe conectarse en un contacto que esté instalado y que haga tierra apropiadamente y de acuerdo con todos los códigos y ordenanzas locales.

ENSAMBLE

PAQUETE DE ENSAMBLE

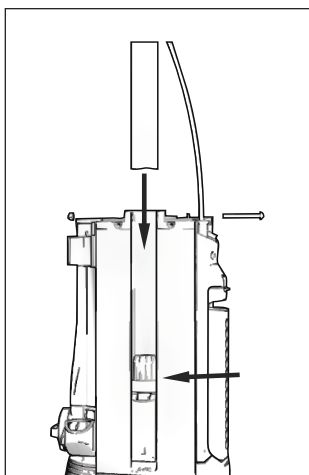
El paquete de ensamble se incluye con el manual del propietario. El paquete contiene un perno para la máquina y una tuerca para fijar el ensamble del asa al contenedor.



¡PRECAUCIÓN! Ensamble completamente la aspiradora antes de utilizarla.

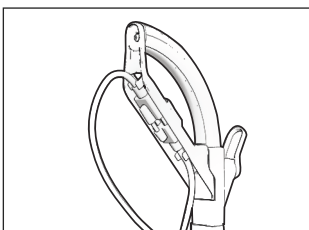
1. Abra la cubierta de la bolsa de polvo. Deslice la parte de metal del ensamble del asa por el canal hasta que se asiente en el retenedor inferior. (Vea Diagrama 1) Inserte el tornillo de la máquina a través de la cubierta y el asa. Gire la tuerca y apriétela. Cierre la cubierta de la bolsa de polvo.

Diagrama 1



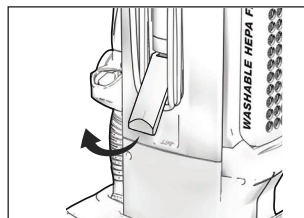
2. Enchufe el cable de extensión al cable flexible. Asegure el ensamble del cable en los retenedores ubicados en la parte posterior del asa. (Vea Diagrama 2)

Diagrama 2



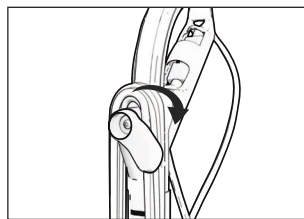
3. Para guardar el cable eléctrico, saque el gancho para el cable inferior y enrolle el cable alrededor de los gancho para el cable superior e inferior. (Vea Diagrama 3) El gancho para el cable inferior se puede guardar en plano en la aspiradora cuando no se usa.

Diagrama 3



4. El cable eléctrico se puede liberar rápidamente girando el gancho para el cable superior hacia abajo. Vuelva a colocar el gancho superior en posición vertical para guardar el cable. (Vea Diagrama 4)

Diagrama 4



En los modelos con accesorios de limpieza, coloque el tubo en el retenedor inferior. Asegúrese de que la válvula de succión está colocada en la posición de limpiador de pisos. Asegure el tubo en el clip para tubo.

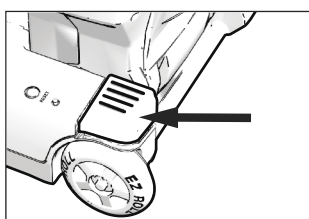
CÓMO USAR

La aspiradora vertical ha sido diseñada para usarse en múltiples tipos de alfombras. No intente usar la aspiradora vertical con el rodillo de cepillo sobre pisos sin recubrimiento, puesto que podría dañar la superficie del piso.

AJUSTE DEL ASA

1. Con la punta del pie, ejerza presión sobre la parte izquierda de la liberación del asa ubicada en la parte posterior izquierda de la aspiradora. Mueva el asa y ajústela a la altura deseada. La unidad puede quedarse completamente plana para limpiar debajo de muebles de poca altura. (Vea Diagrama 5)

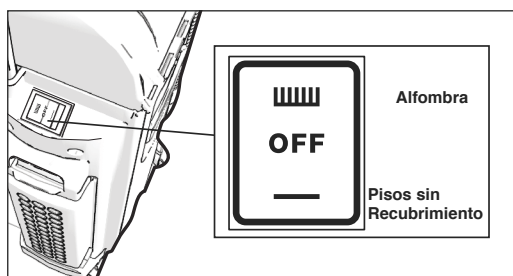
Diagrama 5



INTERRUPTOR DE ENERGÍA

1. El interruptor de energía está ubicado encima del ensamblaje del filtro, en el lado izquierdo de la aspiradora. La unidad está pagada cuando el interruptor está en la posición central. Presione la parte delantera del interruptor para limpiar alfombras y la parte posterior del interruptor para limpiar pisos sin recubrimiento. (Vea Diagrama 6)

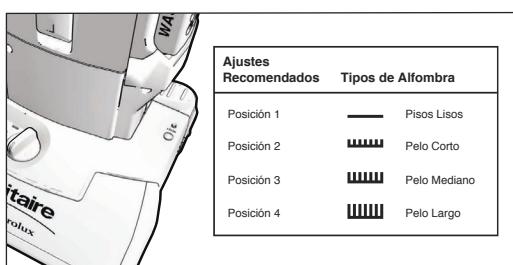
Diagrama 6



OPCIONES DE ALTURA DE LA ASPIRADORA

1. La parte delantera de la aspiradora tiene un ajuste que sube o baja la base de la aspiradora para coincidir con el tipo de alfombra. (Vea Diagrama 7)

Diagrama 7



2. Para determinar la opción de altura correcta, comience con la opción más alta para alfombra.
3. Baje el asa hasta la posición de funcionamiento (para bajar el cabezal de aspirado hasta el piso).
4. A continuación, baje la opción de altura ajuste por ajuste hasta que escuche que los cepillos tocan el suelo. El cambio en el sonido debería ser reconocible.

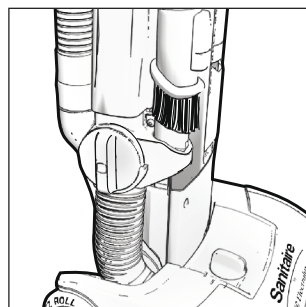


NOTA: No debería resultar difícil empujar la aspiradora. Colocar la aspiradora a una altura demasiado baja podría causar un desgaste prematuro en las correas, los cepillos y el motor.

LIMPIEZA DE LOS ACCESORIOS

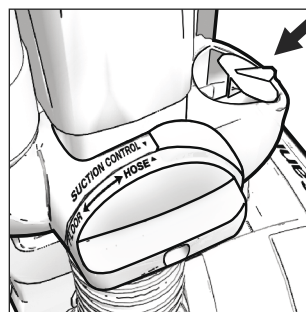
1. La aspiradora cambia fácilmente para limpiar con los accesorios. La aspiradora deberá estar trabada en posición vertical. Quite el ensamblaje del tubo y gire la válvula de control de la succión hacia la parte trasera de la aspiradora hasta la posición de la manguera. (Vea Diagrama 8)

Diagrama 8



2. La válvula deberá estar en posición horizontal con el indicador apuntando hacia la opción de manguera. (Vea Diagrama 9)

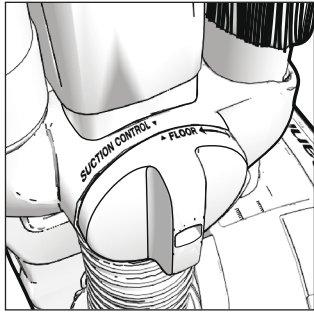
Diagrama 9



CONTINUACIÓN DE CÓMO USAR

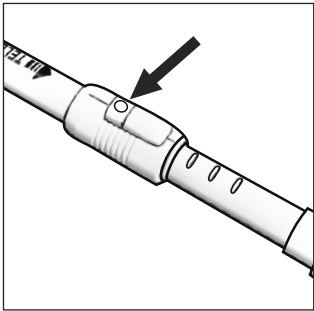
3. Para regresar la opción de limpieza de piso, gire la válvula hacia la parte delantera de la aspiradora hasta que el indicador apunte hacia la opción de piso. Vuelva a colocar el tubo en el retenedor inferior y asegúrelo con el clip para tubo. La aspiradora está equipada con un dispositivo para tubo que evita que el tubo se guarde hasta que la válvula de control de succión esté en la posición de piso. (Vea Diagrama 10)

Diagrama 10



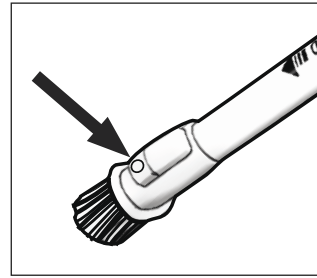
4. Para ampliar el alcance de limpieza del tubo, presione el botón gris oscuro más cercano al asa y jale de la sección exterior del tubo. Realice el proceso inverso antes de devolver el asa a la posición de almacenamiento. (Vea Diagrama 11)

Diagrama 11



5. El ensamble del tubo tiene una herramienta para hendeduras integrada y un cepillo para el polvo fijo permanentemente.
6. Para activar el cepillo para el polvo, presione el botón gris oscuro y deslice el cepillo por encima de la herramienta para hendeduras hasta que se traben en su lugar. Realice el proceso inverso para guardar. (Vea Diagrama 12)

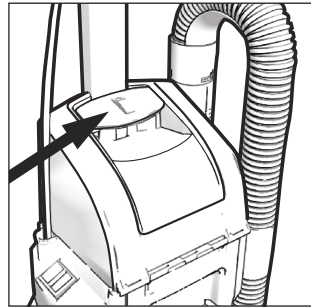
Diagrama 12



CAMBIAR LA BOLSA DE POLVO

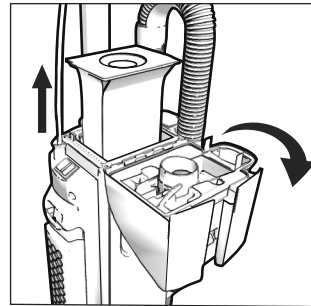
1. Jale el pestillo de liberación de la cubierta del bote de basura para abrir completamente la cubierta y dejar la bolsa a la vista. (Vea Diagrama 13)

Diagrama 13



2. Jale la bolsa hacia arriba para sacarla de la unidad. Inserte una bolsa nueva y cierre la cubierta, asegurándose de que el pestillo se traben en el asa. (Vea Diagrama 14)

Diagrama 14



NOTA: la cubierta de la bolsa de polvo no se trabará si no hay una bolsa de polvo colocada.

MANTENIMIENTO



¡PRECAUCIÓN! Apague el interruptor y desenchufe el cable eléctrico antes de realizar tareas de mantenimiento.

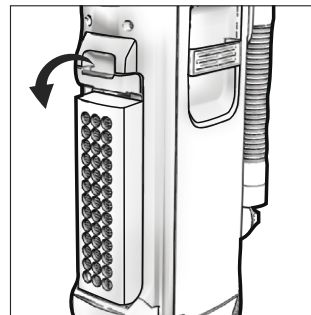


¡IMPORTANTE! Una instalación deficiente del rodillo de cepillo o de la correa del rodillo de cepillo podrían dañar la alfombra o la aspiradora.

CÓMO SUSTITUIR EL ENSAMBLE DEL FILTRO HEPA

1. Jale del pestillo del ensamble del filtro para liberarlo. (Vea Diagrama 15)

Diagrama 15

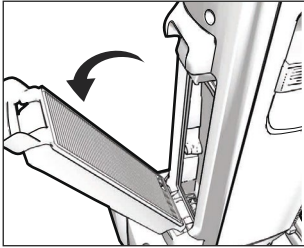


CONTINUACIÓN DE MANTENIMIENTO

CONTINUACIÓN DE CÓMO SUSTITUIR EL FILTRO HEPA

2. Gire el filtro en la dirección opuesta a la máquina y quítelo. Coloque el nuevo filtro alineando las lengüetas de la parte inferior del filtro con las ranuras y la zona de escape de la aspiradora y trábelo en su lugar. (Vea Diagrama 16)

Diagrama 16

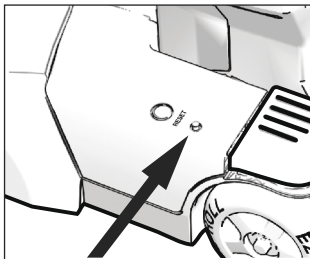


NOTA: Este filtro se puede lavar enjuagando el ensamble con agua tibia. Asegúrese de que el filtro esté completamente seco antes de volver a colocarlo en la aspiradora.

REINICIO DE LA PROTECCIÓN DEL MOTOR DEL RODILLO DE CEPILLO

La aspiradora detendrá automáticamente el motor del rodillo de cepillo y el rodillo de cepillo se atasca. Esto se indicará a través de una luz roja en la base del asa cerca de la liberación del asa. Para reiniciar el motor, libere cualquier obstrucción que pudiera haber en el rodillo de cepillo y presione el botón de reinicio. (Vea Diagrama 17)

Diagrama 17



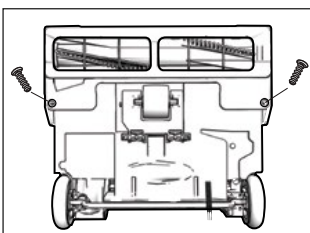
CÓMO CAMBIAR LA CORREA Y REALIZAR MANTENIMIENTO AL RODILLO DE CEPILLO



¡PRECAUCIÓN! Las poleas de la correa pueden calentarse durante el uso normal. Para evitar quemaduras, no toque la polea cuando cambie la correa de transmisión.

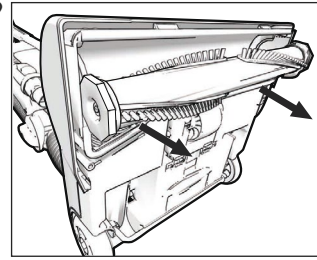
1. Quite los 2 tornillos que fijan la única placa y quítela. (Vea Diagrama 18)

Diagrama 18



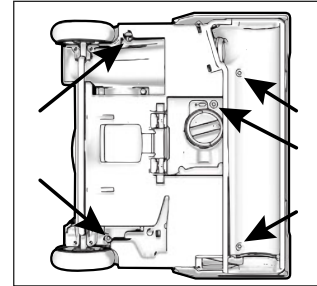
2. Agarre ambos extremos del rodillo de cepillo y jale de ellos para quitarlo de la máquina. (Vea Diagrama 19)

Diagrama 19



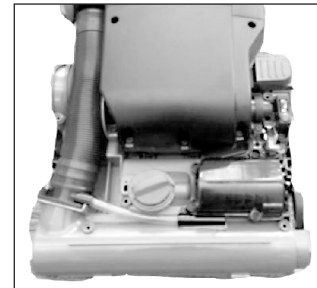
3. Para realizar tareas de mantenimiento en la correa, quite los cinco tornillos de debajo de la base. (Vea Diagrama 20)

Diagrama 20



4. Voltee la unidad para quitar la tapa y la correa. (Vea Diagrama 21)

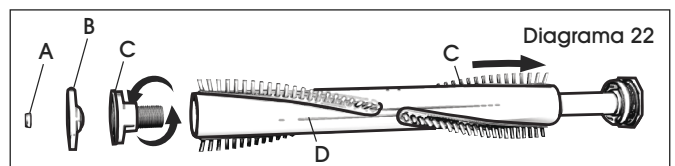
Diagrama 21



5. En este momento, elimine el cabello o hilo del rodillo de cepillo, quitando las tapas de los extremos si es necesario.
6. Siga los pasos en orden inverso para volver a colocarla, asegurándose de que la nueva correa quede bien fija y de que las tapas de los extremos del rodillo de cepillo vuelven a colocarse correctamente en la base.

CÓMO REMPLAZAR LAS TIRAS DEL CEPILLO

- a. Desde el extremo que no tiene la polea, desenrosque la contratuerca (A) y retire la tapa del extremo (B). Jale de la funda exterior y gire el balero retenedor (C) en sentido contrario de las agujas del reloj para quitarla. Jale de la funda exterior (D) para quitarla completamente del resto del ensamble. Retire las tiras del cepillo (E) desgastadas con unas pinzas. Inserte una nueva tira de cepillo de la misma longitud (primero el extremo redondeado). Encaje el riel de ambos lados de la tira de cepillo en la ranura del rodillo de cepillo. (Vea Diagrama 22)



CONTINUACIÓN DE MANTENIMIENTO

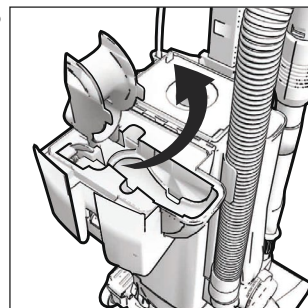
CONTINUACIÓN DE CÓMO REMPLAZAR LAS TIRAS DEL CEPILLO

- b. Reemplace la segunda tira desde los extremos opuestos del rodillo de cepillo. Vuelva a colocar el eje. Alinee la muesca del balero retenedor de la polea (F) con las tiras del cepillo y presione el tubo exterior (D) para insertarlo en su lugar. Enrosque el balero retenedor de la polea (C) en el tubo interior hasta que esté bien apretado. Vuelva a montar el resto del rodillo de cepillo, asegurándose de que gira libremente, y fíjelo a la base. (Vea Diagrama 22)

LIMPIEZA DEL CIRCUITO DE AIRE

La aspiradora está equipada con un sistema de limpieza del circuito de aire, ubicado en el giro que lleva a la bolsa de polvo. Para acceder a él, abra la cubierta de la bolsa de polvo y jale el ensamble de entrada a la altura de la abertura del circuito de aire. Jale del ensamble de la bisagra para dejar a la vista la parte superior del circuito de aire. Limpie la suciedad que haya y vuelva a colocar el ensamble de entrada en su lugar. (Vea Diagrama 23)

Diagrama 23



FILTRO PREMOTOR



NOTA: Revise el filtro premotor ubicado debajo de la bolsa de polvo. Revise el filtro cada vez que cambie la bolsa de polvo. Limpie o reemplace según sea necesario. Agite el filtro para eliminar el exceso de polvo. Si es necesario, el filtro puede limpiarse aspirándolo con otra aspiradora o lavándolo con un detergente suave. Vuelva a colocar el filtro cuando se haya secado completamente.

MANTENIMIENTO RUTINARIO

DIARIAMENTE

1. **Revise la Bolsa de Polvo** – Antes de cada uso, revise la bolsa de polvo desechable y vacíela si está llena hasta tres cuartos de su capacidad o más.
2. **Estado de la Correa** – Verifique que no haya señales de desgaste en la correa. Cambie la correa cuando esté suelta o tenga cortes o grietas. Consulte el diagrama ubicado en la parte inferior de la base para verificar la correcta instalación de la correa y el rodillo de cepillo.
3. **Cable de Electricidad y Enchufe** – Revise el cable y el enchufe en busca de cortes o daños. Si están dañados, solicite a un centro de reparaciones de Sanitaire que reemplace el ensamble del cable y el enchufe.
4. **Motor** – Si escucha sonidos inusuales o el rendimiento es deficiente, el motor deberá ser inspeccionado inmediatamente por un centro de reparaciones de Sanitaire.

SEMANALMENTE

1. **Bolsa del Polvo de Tela** – Inspeccione el ensamble de la bolsa de polvo en busca de señales de desgaste inusual. Reemplace los clips doblados, los resortes estirados o la bolsa desgastada con partes de repuesto originales de Sanitaire.

2. **Tiras de Cerdas del Rodillo de Cepillo** – Compruebe el desgaste de las cerdas una vez a la semana. Las tiras de cerdas deberán reemplazarse cuando las cerdas tengan un largo inferior a 0.6 cm (1/4 de pulgada).
3. **Estado del Rodillo de Cepillo** – Verifique que no haya y si hubiera, retire cualquier material suelto, como hilo o cabello que se haya quedado enrollado en el rodillo de cepillo.
4. **Filtro** – Revise el filtro HEPA lavable y reutilizable por si estuviese obstruido y lave o enjuáguelo según sea necesario.

MENSUALMENTE

1. **Limpieza** – Inspeccione y limpie la aspiradora, incluida la cámara del ventilador y la zona ubicada debajo de la tapa.
2. **Eléctrico** – Inspeccione el ensamble del cable en busca de señales de desgaste y verifique que el asa esté ensamblada correctamente.
3. **Asa** – Verifique que el ensamble del asa esté bien apretado y reemplace los pernos del asa si falta alguno.
4. **Motor** – Un centro de reparaciones de Sanitaire deberá hacer una revisión rutinaria del motor cada 6 meses. Inspeccione el motor inmediatamente si escucha sonidos inusuales o el rendimiento es deficiente.
5. **Filtro** – Revise el filtro HEPA lavable y reutilizable por si estuviese obstruido y lave o enjuáguelo según sea necesario.

SOLUCIÓN DE PROBLEMAS

PROBLEMA DE FUNCIONAMIENTO	RECOMENDACIONES
La correa continua rompiéndose.	<ol style="list-style-type: none">1. La barra del agitador debería estar colocada de forma que la correa quede alineada con las ranuras ubicadas en el marco inferior de la aspiradora.2. Asegúrese de que la aspiradora tiene el control de altura de la alfombra en la posición correcta.
Si la aspiradora tiene poca o nula succión.	<ol style="list-style-type: none">1. Es posible que haya una obstrucción en la manguera. Desconecte la manguera por la parte superior e inferior y retire la obstrucción.2. Limpie o sustituya el ensamble del filtro HEPA y/o el filtro premotor.3. Asegúrese de que la aspiradora tiene el control de altura de la alfombra en la posición correcta.4. Revise la válvula de control de succión para asegurarse de que esté bien colocada. Puede estar en posición de Manguera o de Limpieza de Piso.
La aspiradora se apaga mientras está en funcionamiento.	<ol style="list-style-type: none">1. La máquina puede apagarse si se recalienta.2. Revise que no haya nada atrapado en el rodillo de cepillo y verifique que no hayan obstrucciones.3. Deberá presionar el botón de reinicio para reiniciar el cepillo.
La aspiradora despidе olor a quemado.	<ol style="list-style-type: none">1. Puede que la correa esté dañada o que haya algo enganchado en el rodillo de cepillo.2. Revise el rodillo de cepillo en busca de obstrucciones.3. Reemplace la correa.
Los cepillos no giran.	<ol style="list-style-type: none">1. Revise la válvula de control de succión para asegurarse de que esté en posición de Limpieza de Piso.2. Asegúrese de que la aspiradora está bajada a la posición de limpieza. (No girará en la posición vertical de Almacenamiento).

ULINE

800-295-5510

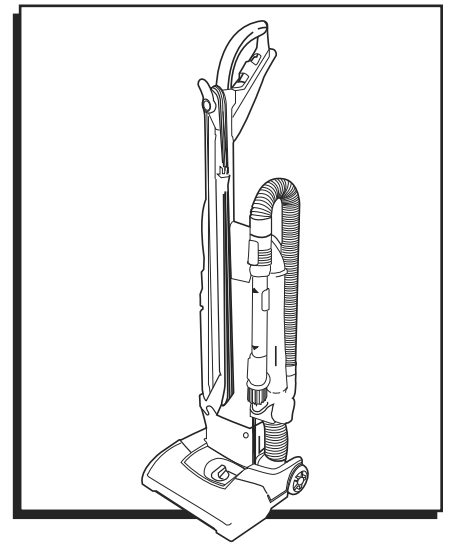
uline.mx

ULINE H-2268

**SANITAIRE^{MD} – ASPIRATEUR
VERTICAL**

1-800-295-5510

uline.ca



SÉCURITÉ



REMARQUE : Lorsque vous utilisez un appareil électrique, vous devez toujours prendre des précautions fondamentales, notamment les suivantes : **LISEZ TOUTES LES INSTRUCTIONS AVANT D'UTILISER CET ASPIRATEUR.**



AVERTISSEMENT! Pour réduire le risque d'incendie, d'électrocution ou de blessure :

- Ne l'utilisez pas à l'extérieur ou sur des surfaces humides.
- Ne laissez pas l'aspirateur sans surveillance lorsqu'il est branché. Éteignez l'interrupteur et débranchez le cordon d'alimentation lorsque l'appareil n'est pas utilisé et avant tout entretien.
- L'aspirateur ne doit pas être utilisé comme un jouet. Soyez particulièrement attentif lorsque l'appareil est utilisé par des enfants ou à proximité de ceux-ci.
- Utilisez l'aspirateur uniquement selon les instructions décrites dans ce manuel. N'utilisez que les accessoires recommandés par le fabricant.
- N'utilisez jamais l'aspirateur si le cordon ou la fiche sont endommagés. Si l'aspirateur ne fonctionne pas correctement, s'il est tombé par terre, s'il est endommagé, s'il a été laissé à l'extérieur ou s'il est tombé dans l'eau, retournez-le à un centre de service avant de l'utiliser.
- Ne tirez pas sur et ne transportez pas l'aspirateur par le cordon d'alimentation, n'utilisez pas le cordon d'alimentation comme poignée, ne fermez pas une porte sur le cordon d'alimentation et ne tirez pas le cordon d'alimentation sur des arêtes ou des coins coupants. Ne passez pas sur le cordon avec l'aspirateur. Maintenez le cordon à l'écart des surfaces chaudes.
- N'utilisez aucune rallonge ou prise dont l'intensité de courant admissible est inadéquate.
- Désactivez toutes les commandes avant de débrancher l'aspirateur.
- Ne débranchez pas l'aspirateur en tirant sur le cordon. Pour le débrancher, tirez sur la fiche et non sur le cordon d'alimentation.
- Ne manipulez pas la fiche ou l'aspirateur lorsque vos mains sont mouillées.
- N'insérez pas d'objets dans les ouvertures. N'utilisez pas l'appareil lorsqu'une ouverture est obstruée; maintenez-la exempte de poussière, de peluche, de cheveux et de tout autre élément pouvant entraver la circulation d'air.
- Cet aspirateur produit de la succion et contient une brosse de battage rotative. Maintenez les cheveux, les vêtements amples, les doigts et toutes les autres parties du corps à l'écart des ouvertures et des pièces mobiles.
- Ne placez jamais l'aspirateur sur un meuble ou des marches, car la brosse de battage pourrait causer des dommages. Lorsque vous utilisez les accessoires, placez l'aspirateur sur le plancher avec la poignée en position de rangement.
- N'aspirez aucun élément qui brûle ou qui produit de la fumée, comme des cigarettes, des allumettes ou des cendres chaudes.
- N'utilisez pas l'aspirateur si aucun sac à poussière ou filtre n'est installé.
- Les poulies de courroie peuvent devenir chaudes durant l'utilisation normale. Afin d'éviter toute brûlure, évitez de toucher à la poulie de courroie lors de l'entretien de la courroie d'entraînement.
- Soyez particulièrement prudent lorsque vous passez l'aspirateur dans des escaliers.
- N'utilisez pas l'aspirateur pour aspirer des liquides inflammables ou combustibles, tels que de l'essence, et n'utilisez pas l'aspirateur dans les zones où ces produits peuvent être présents.
- Entrez votre aspirateur dans un endroit frais et sec.
- Maintenez votre espace de travail bien éclairé.
- Débranchez les appareils électriques avant de les nettoyer avec l'aspirateur.

SÉCURITÉ SUITE

INSTRUCTIONS DE MISE À LA TERRE

Cet appareil doit être mis à la terre. En cas de défaillance ou de panne, la mise à la terre fournit un chemin de moindre résistance pour le courant électrique et réduit le risque d'électrocution.

L'appareil est équipé d'un cordon muni d'un conducteur de protection et d'une fiche de mise à la terre. La fiche doit être insérée dans une prise correctement installée et mise à la terre, conformément aux réglementations et codes locaux.

MONTAGE

TROUSSE DE MONTAGE

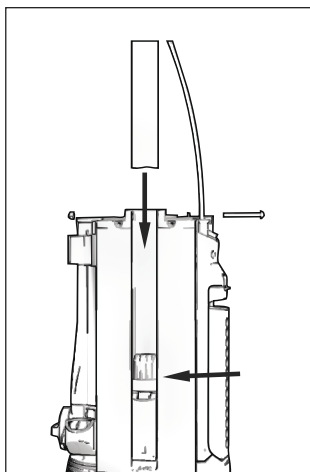
La trousse de montage est fournie avec le guide d'utilisation. La trousse contient un boulon mécanique et un écrou pour fixer l'ensemble de la poignée au récipient.



MISE EN GARDE! Assemblez complètement l'aspirateur avant de l'utiliser.

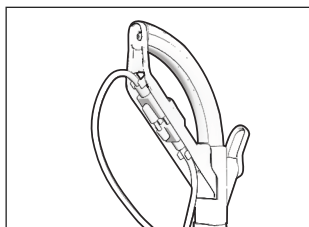
1. Ouvrez le couvercle du sac à poussière. Glissez la partie métallique de l'ensemble de la poignée dans la cannelure jusqu'à ce qu'elle soit fermement logée sur le dispositif de retenue inférieur. (Voir Figure 1) Insérez la vis à métaux dans le boîtier et la poignée. Tournez l'écrou et serrez. Fermez le couvercle du sac à poussière.

Figure 1



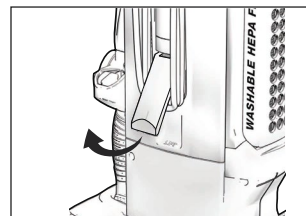
2. Branchez la rallonge dans le raccord en tire-bouchon. Fixez l'ensemble du cordon dans les dispositifs de retenue à l'arrière de la poignée. (Voir Figure 2)

Figure 2



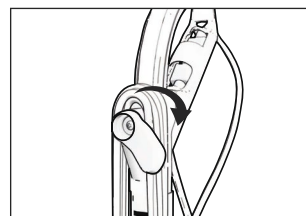
3. Pour ranger le cordon d'alimentation, soulevez le crochet à cordon inférieur et enroulez le cordon autour des crochets à cordon supérieur et inférieur. (Voir Figure 3) Le crochet à cordon inférieur peut être rangé à plat sur l'aspirateur lorsqu'il n'est pas utilisé.

Figure 3



4. Le cordon d'alimentation peut être retiré rapidement en faisant tourner le crochet à cordon supérieur vers le bas. Retournez le crochet supérieur en position verticale pour ranger le cordon. (Voir Figure 4)

Figure 4



Pour les modèles munis d'accessoires de nettoyage, placez le tube rallonge dans le dispositif de retenue inférieur. Assurez-vous que la soupape d'aspiration est réglée à la position pour le nettoyage de sols. Fixez le tube rallonge dans l'attache du tube rallonge.

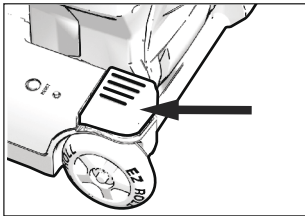
UTILISATION

L'aspirateur vertical est conçu pour être utilisé sur plusieurs types de moquettes. Évitez d'utiliser l'aspirateur vertical avec la brosse de battage sur un plancher nu, car cela pourrait endommager le revêtement de sol.

RÉGLAGE DE LA POIGNÉE

1. Avec la pointe du pied, appuyez sur la partie gauche de la pédale de dégagement de la poignée située sur le côté arrière gauche de l'aspirateur. Déplacez la poignée et réglez-la à la hauteur désirée. L'appareil peut être placé complètement à plat pour nettoyer sous les meubles bas. (Voir Figure 5)

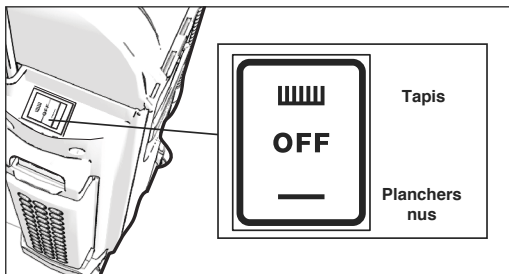
Figure 5



INTERRUPTEUR D'ALIMENTATION

1. L'interrupteur d'alimentation est installé sur le dessus de l'ensemble du filtre, sur le côté gauche de l'aspirateur. L'appareil est éteint lorsque l'interrupteur est placé au centre. Appuyez sur la partie avant de l'interrupteur pour nettoyer un tapis et sur la partie arrière pour nettoyer un plancher nu. (Voir Figure 6)

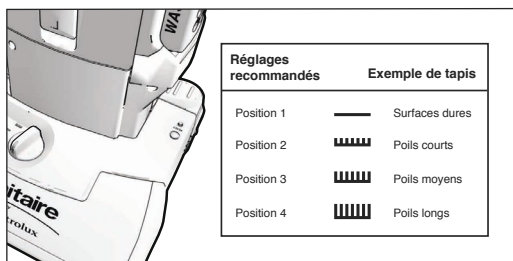
Figure 6



RÉGLAGES DE HAUTEUR DE L'ASPIRATEUR

1. Le devant de l'aspirateur comporte un réglage servant à hausser ou abaisser la base de l'aspirateur afin qu'elle corresponde au type de moquette. (Voir Figure 7)

Figure 7



2. Pour déterminer le réglage de hauteur approprié, commencez par le réglage le plus élevé.
3. Abaissez la poignée en position de fonctionnement (pour abaisser la tête d'aspiration au plancher).
4. Ensuite, abaissez le réglage de hauteur d'un cran à la fois jusqu'à ce que vous entendiez la brosse toucher au tapis. Vous remarquerez un changement sonore.

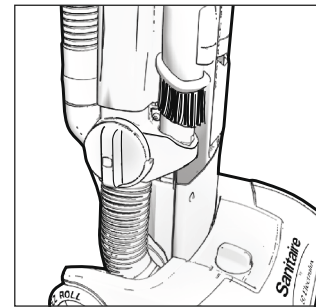


REMARQUE : L'aspirateur ne devrait pas être difficile à pousser. Si l'aspirateur est trop bas, une usure prématurée des courroies, des brosses et du moteur peut s'ensuivre.

ASPIRATEUR À MAIN

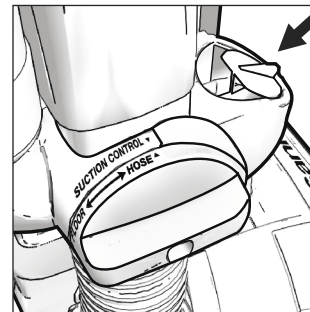
1. L'aspirateur se convertit facilement en un aspirateur à main. L'aspirateur doit être verrouillé en position verticale. Retirez l'ensemble du tube rallonge et tournez la soupape de commande d'aspiration vers l'arrière de l'aspirateur à la position de tuyau. (Voir Figure 8)

Figure 8



2. La soupape doit être en position horizontale avec l'indicateur pointant vers le réglage de tuyau. (Voir Figure 9)

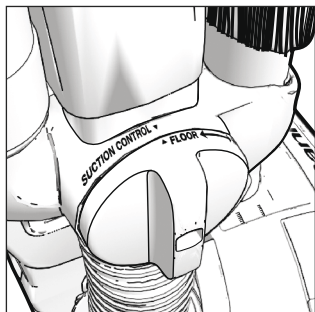
Figure 9



UTILISATION SUITE

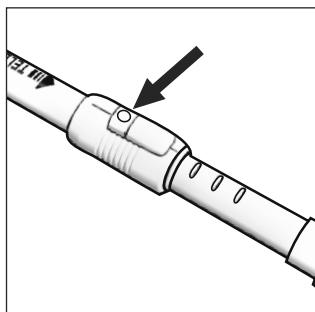
3. Pour revenir au nettoyage de sols, tournez la soupape vers l'avant de l'aspirateur jusqu'à ce que l'indicateur pointe vers le réglage au sol (floor). Remplacez le tube rallonge dans le dispositif de retenue inférieur et fixez-le à l'attache du tube rallonge. L'aspirateur est doté d'un dispositif pour tube rallonge qui empêche le tube rallonge d'être rangé jusqu'à ce que la soupape de commande d'aspiration soit réglée à la position de sol. (Voir Figure 10)

Figure 10



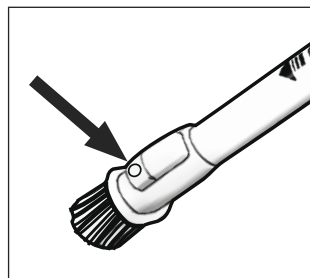
4. Pour allonger la portée de nettoyage du tube rallonge, appuyez sur le bouton gris foncé le plus proche de la poignée, et tirez sur la section extérieure du tube rallonge. Effectuez la procédure inverse avant de remettre le tube rallonge en position de rangement. (Voir Figure 11)

Figure 11



5. L'ensemble du tube rallonge est doté d'un suceur plat intégré et d'une brosse à épousseter fixée en permanence.
6. Pour enclencher la brosse à épousseter, appuyez sur le bouton gris foncé et faites glisser la brosse sur le suceur plat jusqu'à ce qu'elle se verrouille. Effectuez la procédure inverse pour la ranger. (Voir Figure 12)

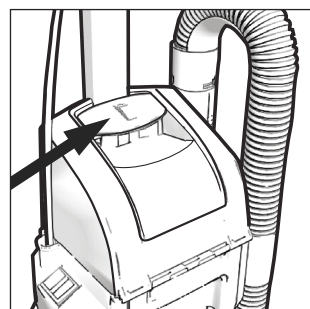
Figure 12



REPLACEMENT DU SAC À POUSSIÈRE

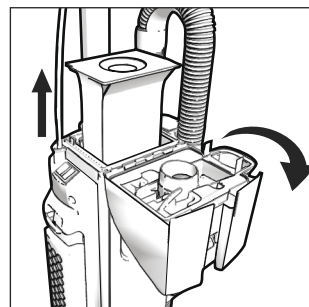
1. Tirez sur le loquet de dégagement situé sur le couvercle du bac à poussière et ouvrez complètement le couvercle pour exposer le sac. (Voir Figure 13)

Figure 13



2. Tirez le sac à poussière directement vers le haut pour le retirer. Insérez un nouveau sac et fermez le couvercle, en veillant à ce que le loquet s'enclenche dans la poignée. (Voir Figure 14)

Figure 14



REMARQUE : Le couvercle du sac à poussière ne se verrouillera pas si aucun sac à poussière n'est installé.

ENTRETIEN



MISE EN GARDE! Éteignez l'aspirateur et débranchez le cordon d'alimentation avant tout entretien.

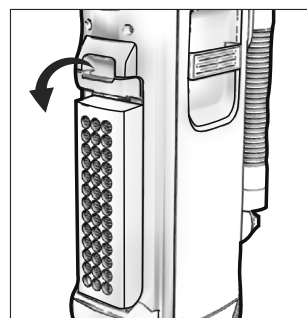


IMPORTANT! Une mauvaise installation de la brosse de battage ou de la courroie du rouleau à brosse pourrait endommager le tapis ou l'aspirateur.

COMMENT REMPLACER LE FILTRE HEPA

1. Tirez sur le loquet de l'assemblage du filtre pour le libérer. (Voir Figure 15)

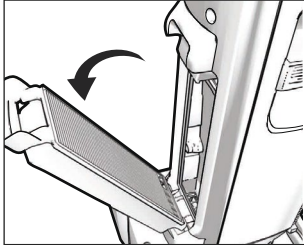
Figure 15



COMMENT REMPLACER LE FILTRE HEPA SUITE

- Retirez le filtre de l'appareil en le faisant pivoter. Installez le nouveau filtre en alignant les onglets au bas du filtre avec les fentes de la section de sortie de l'aspirateur et enclenchez-le en position. (Voir Figure 16)

Figure 16

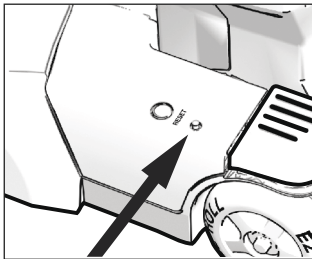


REMARQUE : Ce filtre est lavable et peut être nettoyé en rinçant l'ensemble à l'eau tiède. Assurez-vous que le filtre est complètement sec avant de le réinstaller dans l'aspirateur.

RÉINITIALISATION DE PROTECTION DU MOTEUR DE LA BROSSE DE BATTAGE

L'aspirateur éteindra automatiquement le moteur de la brosse de battage si celle-ci se bloque. Un voyant rouge sur la base de la poignée, près de la pédale de dégagement de la poignée, s'allumera. Pour réinitialiser le moteur, dégagez toute obstruction de la brosse de battage et appuyez sur le bouton de réinitialisation. (Voir Figure 17)

Figure 17

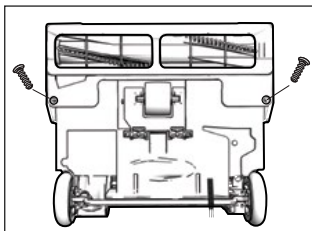


COMMENT CHANGER LA COURROIE ET ASSURER L'ENTRETIEN DE LA BROSSE DE BATTAGE

! **MISE EN GARDE!** Les poulies de courroie peuvent devenir chaudes durant l'utilisation normale. Afin d'éviter toute brûlure, ne touchez pas à la poulie de courroie lors de l'entretien de la courroie d'entraînement.

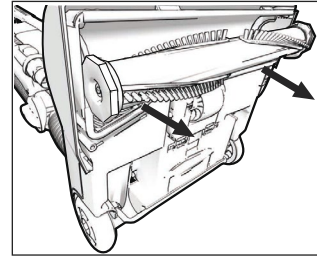
- Dévissez les deux vis qui maintiennent la plaque d'appui, puis retirez-la. (Voir Figure 18)

Figure 18



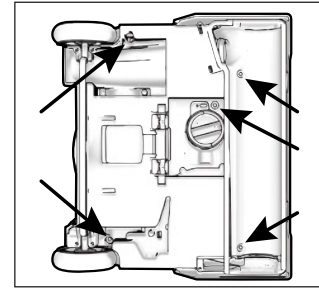
- Saisissez les deux extrémités de la brosse de battage et retirez-la de l'appareil. (Voir Figure 19)

Figure 19



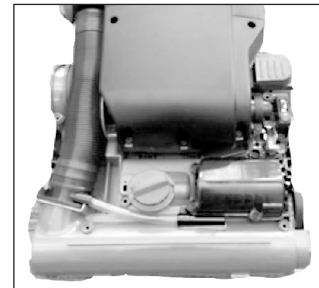
- Pour passer à l'entretien de la courroie, retirez cinq vis du dessous de la base. (Voir Figure 20)

Figure 20



- Retournez l'appareil pour retirer le couvercle et la courroie. (Voir Figure 21)

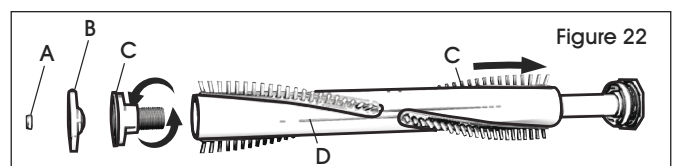
Figure 21



- Ensuite, retirez tout cheveu ou ficelle se trouvant sur la brosse de battage (enlevez les embouts au besoin).
- Effectuez les étapes dans le sens inverse pour la réinstaller, en vous assurant que la nouvelle courroie est fixée et que les embouts de la brosse de battage sont correctement positionnés pour bien se loger dans la base.

COMMENT REMPLACER LES BANDES DE BROSSE

- À partir de l'extrémité sans poulie, dévissez l'écrou freiné (A) et retirez l'embout (B). Saisissez le manchon extérieur et tournez la couronne d'appui (C) dans le sens antihoraire pour la retirer. Retirez le manchon extérieur (D) du reste de l'assemblage. Tirez sur la bande de brosse usée (E) à l'aide de pinces. Glissez une nouvelle bande de brosse de même longueur (l'extrémité arrondie en premier). Installez la bande de brosse de chaque côté dans la fente de la brosse de battage. (Voir Figure 22)

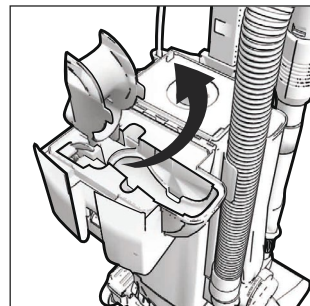


ENTRETIEN SUITE

COMMENT REMPLACER LES BANDES DE BROSE SUITE

- b. Remplacez la deuxième bande à partir des extrémités opposées de la brosse de battage. Remplacez la tige. Alignez l'encoche sur la couronne d'appui de poulie (F) avec les bandes de brosse et poussez le tube extérieur (D) en position. Vissez la couronne d'appui de poulie (C) dans le tube intérieur jusqu'à ce qu'elle soit serrée. Assemblez le reste de la brosse de battage, en veillant à ce qu'elle tourne librement et qu'elle soit fixée à la base. (Voir Figure 22)

Figure 23



NETTOYAGE DU CONDUIT D'AIR

L'aspirateur est doté d'un conduit d'air nettoyant, situé au tournant menant au sac à poussière. Pour y accéder, ouvrez le couvercle du sac à poussière et saisissez l'assemblage d'entrée d'air à l'ouverture du conduit d'air. Tirez sur l'assemblage articulé pour accéder au haut du conduit d'air. Nettoyez tous les débris et enclenchez l'assemblage d'entrée d'air en position. (Voir Figure 23)

FILTRE PRÉMOTEUR



REMARQUE : Vérifiez le filtre prémoteur situé sous le sac à poussière. Vérifiez le filtre à chaque changement de sac à poussière. Nettoyez-le ou remplacez-le au besoin. Secouez le filtre pour enlever l'excès de poussière. Au besoin, le filtre peut être nettoyé en l'aspirant avec un autre aspirateur ou en le lavant avec un détergent doux. Réinstallez le filtre une fois complètement sec.

ENTRETIEN RÉGULIER

QUOTIDIEN

1. **Vérification du sac à poussière** – Avant chaque utilisation, vérifiez le sac à poussière jetable et videz-le s'il est plein aux trois quarts ou plus.
2. **État de la courroie** – Vérifiez la courroie pour toute trace d'usure. Changez la courroie lorsqu'elle est desserrée, coupée ou fissurée. Référez-vous au schéma sur le dessous de la base pour installer correctement la courroie et la brosse de battage.
3. **Cordon d'alimentation et fiche** – Vérifiez le cordon d'alimentation et la fiche pour repérer tout bris ou dommage. En cas de dommage, faites remplacer l'ensemble du cordon d'alimentation et de la fiche par un centre de réparation Sanitaire qualifié.
4. **Moteur** – En cas de bruit inhabituel ou de faible rendement, le moteur doit être inspecté immédiatement par un centre de réparation Sanitaire qualifié.

HEBDOMADAIRE

1. **Sac à poussière en tissu** – Inspectez le sac à poussière pour repérer toute usure inhabituelle. Remplacez les attaches pliées, les ressorts étirés ou un sac usé par des pièces de remplacement d'origine de marque Sanitaire.

2. **Bandes de poils de la brosse de battage** – Vérifiez les poils une fois par semaine pour repérer tout signe d'usure. Les bandes de poils doivent être remplacées lorsque leur longueur est inférieure à 6,4 mm (1/4 po).
3. **État de la brosse de battage** – Repérez et retirez tout matériau lâche, tel qu'une ficelle ou des cheveux enroulés autour de la brosse de battage.
4. **Filtre** – Vérifiez si le filtre HEPA lavable et réutilisable est obstrué et nettoyez-le et rincez-le au besoin.

MENSUEL

1. **Nettoyage** – Inspectez et nettoyez l'aspirateur, y compris la chambre du ventilateur et le dessous du couvercle.
2. **Électricité** – Inspectez l'ensemble du cordon pour repérer toute usure et vérifiez si l'ensemble de la poignée est installé correctement.
3. **Poignée** – Vérifiez si l'ensemble de la poignée est bien serré et remplacez les boulons de la poignée s'ils sont manquants.
4. **Moteur** – Un centre de réparation Sanitaire qualifié devrait effectuer une vérification courante du moteur tous les 6 mois. En cas de bruit inhabituel ou de faible rendement, faites inspecter le moteur immédiatement.
5. **Filtre** – Vérifiez si le filtre HEPA lavable et réutilisable est obstrué et nettoyez-le et rincez-le au besoin.

DÉPANNAGE

PROBLÈME DE FONCTIONNEMENT	RECOMMANDATIONS
La courroie se rompt continuellement.	<ol style="list-style-type: none"> 1. La barre de battage doit être positionnée de façon à ce que la courroie s'aligne avec les rainures du châssis inférieur de l'aspirateur. 2. Assurez-vous que l'aspirateur est réglé en fonction de l'épaisseur du tapis.
S'il n'y a que peu ou pas de suction.	<ol style="list-style-type: none"> 1. Le tuyau est peut-être obstrué. Le cas échéant, démontez le haut et le bas du tuyau et retirez ce qui cause l'obstruction. 2. Nettoyez ou remplacez l'assemblage du filtre HEPA ou du filtre pré-moteur. 3. Assurez-vous que l'aspirateur est réglé en fonction de l'épaisseur du tapis. 4. Vérifiez la soupape de commande d'aspiration pour vous assurer qu'elle est correctement réglée. Peut être réglée pour fixer un tuyau ou pour le nettoyage de sols.
L'aspirateur s'éteint en cours d'utilisation.	<ol style="list-style-type: none"> 1. L'aspirateur peut s'éteindre en raison d'une surchauffe. 2. Assurez-vous que rien n'est pris sur la brosse de battage et repérez tout blocage. 3. Vous devrez appuyer sur le bouton de réinitialisation pour redémarrer la brosse.
L'aspirateur dégage une odeur de brûlé.	<ol style="list-style-type: none"> 1. La courroie est peut-être endommagée ou quelque chose est peut être coincé dans la brosse de battage. 2. Vérifiez la brosse de battage pour repérer toute obstruction. 3. Remplacez la courroie.
Les brosses ne tournent pas.	<ol style="list-style-type: none"> 1. Vérifiez la soupape de commande d'aspiration pour vous assurer qu'elle est réglée pour le nettoyage de sols. 2. Assurez-vous que l'aspirateur est abaissé en position de nettoyage. (Elles ne tourneront pas si l'appareil est en position de rangement verticale.)

ULINE

1-800-295-5510
uline.ca